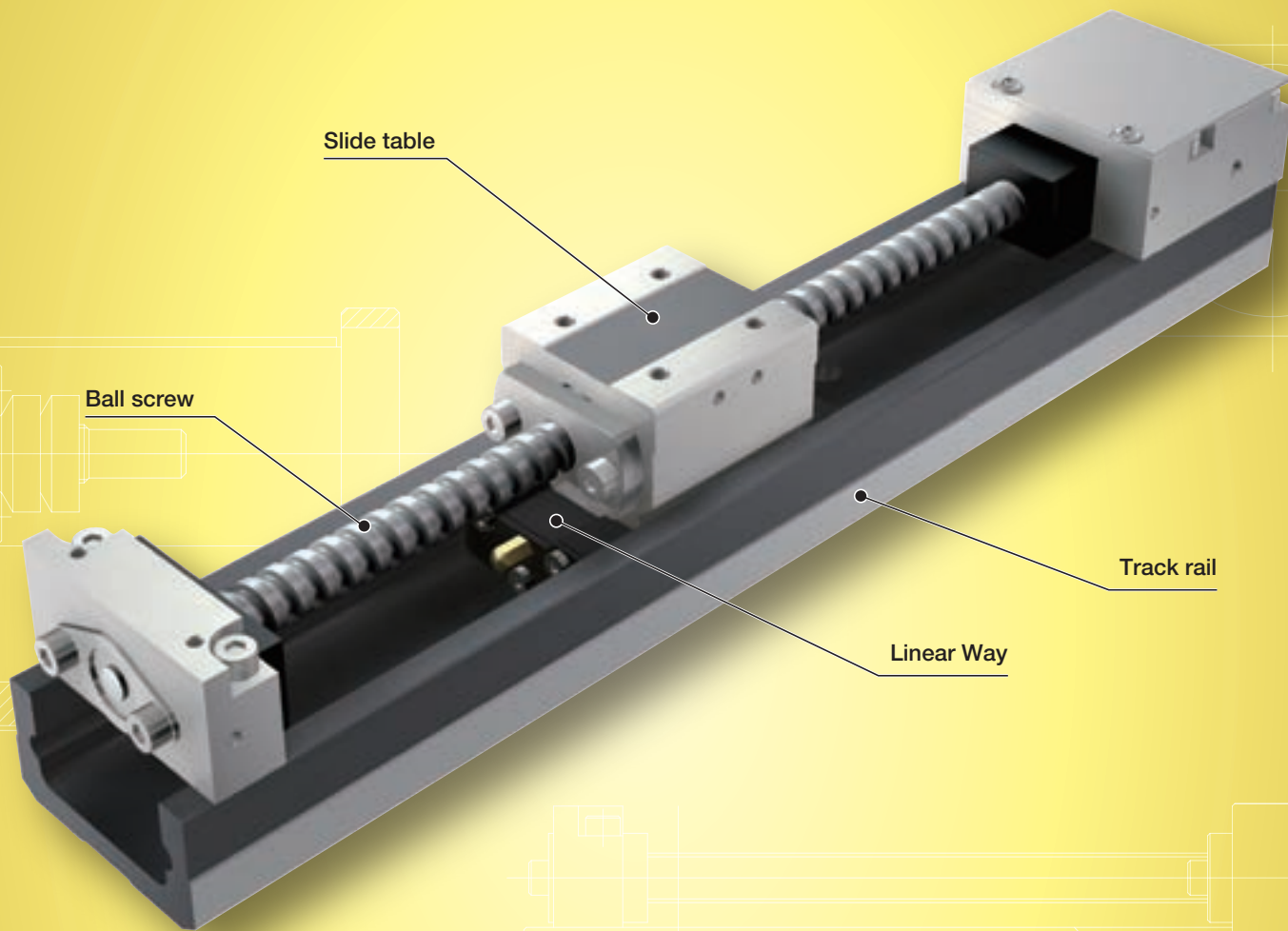
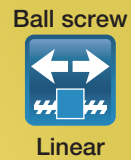


TU

TU

TU



Major product specifications

Driving method	Precision ball screw and rolled ball screw
Linear motion rolling guide	Linear Way (ball type)
Built-in lubrication part	No built-in (The identification number is provided for your selection to attach lubrication part "C-Lube" or not)
Material of table and bed	High carbon steel
Sensor	Select by identification number

Accuracy

Positioning repeatability	±0.002~0.040
Positioning accuracy	0.020~0.050
Lost motion	-
Parallelism in table motion A	-
Parallelism in table motion B	0.008~0.030
Attitude accuracy	-
Straightness	-
Backlash	0.003~0.050

unit: mm

Points

1 Compact and slim type positioning table with an original U-shaped track rail

Precision Positioning Table TU is a compact and slim type positioning table with a slide table assembled inside a U-shaped track rail.

Also, by adopting a U-shaped track rail, the rigidity of the track rail under moment load and torsion is greatly increased. The track rail can be used as a structure beam of the machine and equipment. Therefore, freedom of design is expanded for user.

2 Slide table with high accuracy and high rigidity in a single structure

The slide table is an integral part of a linear motion rolling guide mechanism, in which large diameter steel balls are arranged in two rows and make four-point contact with the raceways. High accuracy and high rigidity positioning can thus be obtained even in applications where fluctuating load or complex load is applied.

3 The optimal table specification can be selected from a variety of options

The optimal positioning table for each specific application can be configured easily by only indicating required functions and performance from our substantial size variations and a variety of options by the identification number.

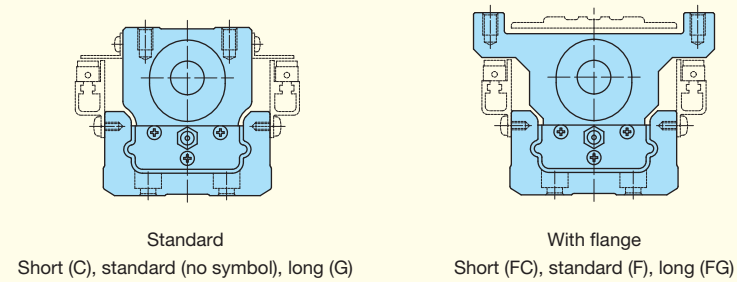
Variation

Shape	Model	Track rail width (mm)								
		25	30	40	50	60	86	100	130	
Standard	Short table 	TU...C	-	-	☆	☆	☆	☆	-	-
	Standard table 	TU...S	☆	☆	☆	☆	☆	☆	☆	☆
	Long table 	TU...G	-	-	☆	☆	☆	☆	-	-
With flange	Short table 	TU...FC	-	-	-	-	☆	☆	-	-
	Standard table 	TU...F	☆	☆	☆	☆	☆	☆	☆	☆
	Long table 	TU...FG	-	-	-	-	☆	☆	-	-

Special specifications that can be specified by the identification number

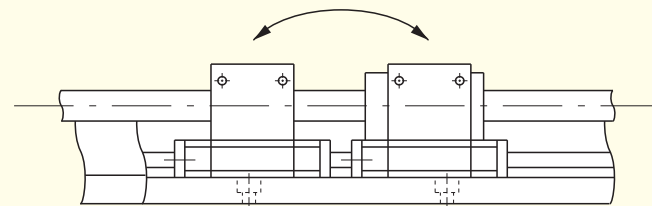
Shape and length of the slide table

The shape can be selected from two types, "standard" type and "with flange" type, and three types with different length with same section, i.e. short, standard, and long are listed on lineup. A bridge cover and XY bracket can be attached to the "with flange" type.



Number of slide tables

Two slide tables can be mounted on the track rail depending on the applied load and the moment.



Type and lead of ball screw

Rolled ball screws and precision ball screws can be selected according to required accuracy. Ball screw lead is also selectable. The specification without ball screw can be used as a driven side linear motion rolling guide in biaxial parallel arrangement.

Designation of sensor

A variety of sensors can be specified for mounting, including limit sensors and origin sensors.

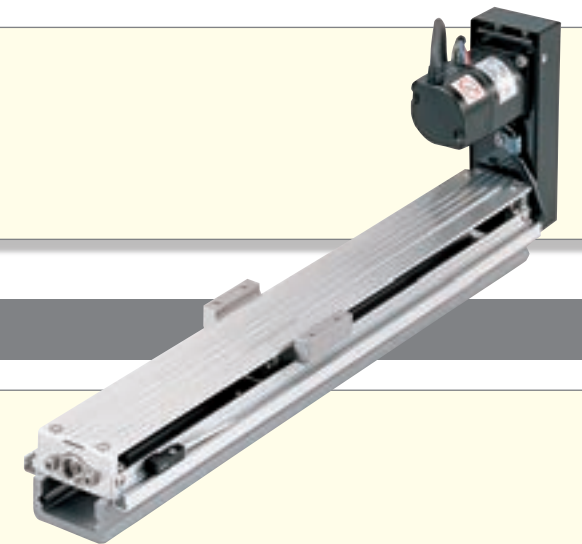
Table with C-Lube

Maintenance works such as relubricating with grease for ball screws and linear motion rolling guides can be reduced significantly by attaching lubrication part "C-Lube" impregnated with lubricant.



Motor folding back specification

The motor folding back specification table can realize space saving by reducing the overall length of the table.

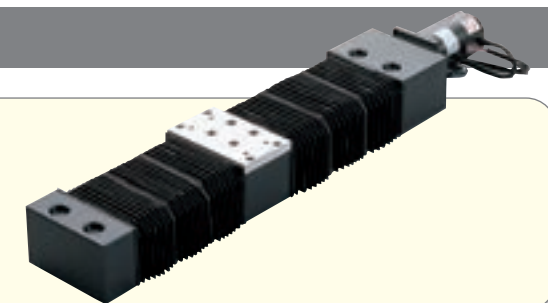


With bridge cover

A bridge cover can be attached to the "With flange" type.

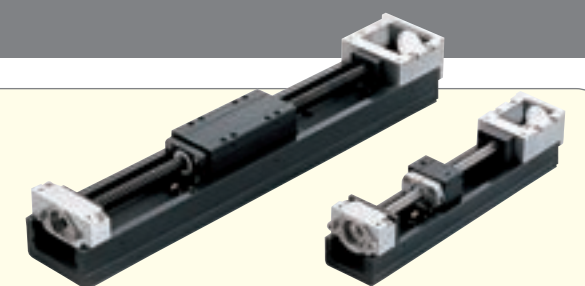
Table with bellows

A series of tables with bellows is available for preventing foreign matter from intruding into the table by covering the linear motion rolling guide and drive section with bellows.



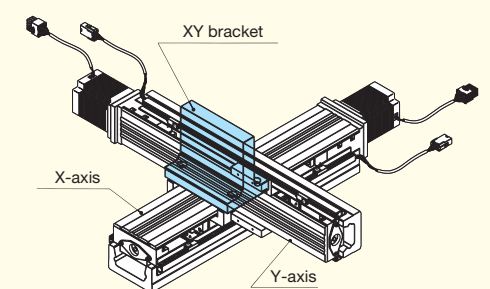
Black chrome surface treatment

Black permeable film is applied on the surface of slide table and ball screw to improve the corrosion resistance.

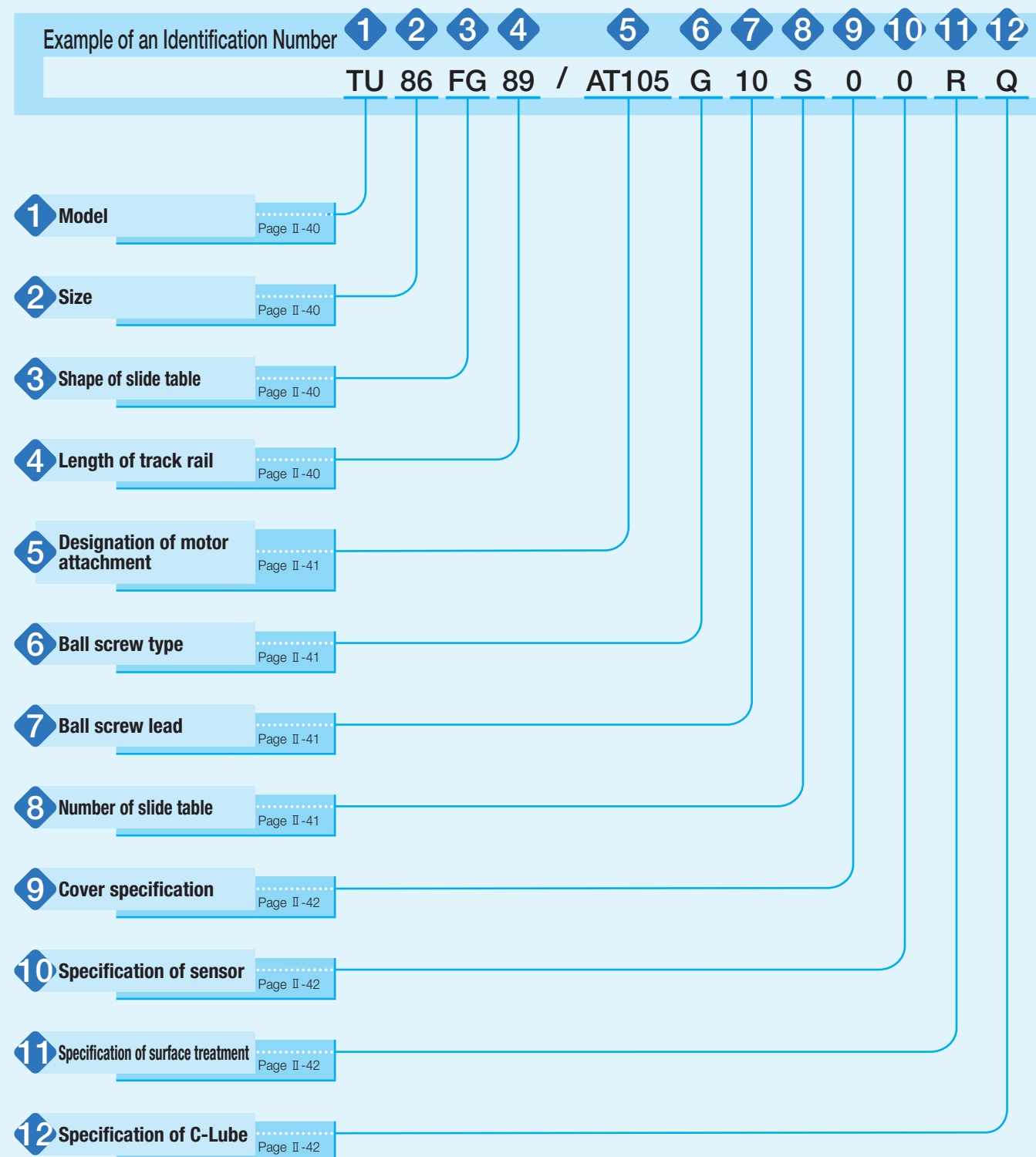


XY bracket

XY table can be configured easily since a series of XY bracket is available.



Identification Number



Identification Number and Specification

- 1 Model** TU: Precision Positioning Table TU
- 2 Size** Size indicates bed width. Select a size from the list of Table 1.
- 3 Shape of slide table**
 - C : Short table
 - S : Standard table
 - G : Long table
 - FC : Flange type short table
 - F : Flange type standard table
 - FG: Flange type long table

Table 1 Application of shape of slide table

Model and size	Model code					
	TU...C	TU...S	TU...G	TU...FC	TU...F	TU...FG
TU 25	—	○	—	—	○	—
TU 30	—	○	—	—	○	—
TU 40	○	○	○	—	○	—
TU 50	○	○	○	—	○	—
TU 60	○	○	○	○	○	○
TU 86	○	○	○	○	○	○
TU100	—	○	—	—	○	—
TU130	—	○	—	—	○	—

- 4 Length of track rail** From the [Identification] of track rail length shown in Table 2.1 and 2.2, select your desired one.

Table 2.1 Length of track rail (motor inline specification)

unit: mm

Model and size	[Identification] of the length and dimensions of the track rail											
	[13] 130	[16] 165	[20] 200	—	—	—	—	—	—	—	—	—
TU 25	[13] 130	[16] 165	[20] 200	—	—	—	—	—	—	—	—	—
TU 30	[14] 140	[18] 180	[22] 220	[26] 260	[30] 300	[34] 340	—	—	—	—	—	—
TU 40	[18] 180	[24] 240	[30] 300	[36] 360	[42] 420	—	—	—	—	—	—	—
TU 50	[22] 220	[30] 300	[38] 380	[46] 460	[54] 540	[62] 620	[70] 700	—	—	—	—	—
TU 60	[29] 290	[39] 390	[49] 490	[59] 590	[69] 690	[79] 790	[99] 990	[119] 1190	—	—	—	—
TU 86	[49] 490	[59] 590	[69] 690	[79] 790	[89] 890	[99] 990	[109] 1090	[119] 1190	[139] 1390	[159] 1590	—	—
TU100	[101] 1010	[116] 1160	[131] 1310	[146] 1460	—	—	—	—	—	—	—	—
TU130	[101] 1010	[116] 1160	[131] 1310	[146] 1460	[161] 1610	—	—	—	—	—	—	—

Remark: For stroke lengths, please see the dimension tables shown in pages of II-69 or later.

Table 2.2 Length of track rail (motor folding back specification)

unit: mm

Model and size	[Identification] of the length and dimensions of the track rail									
	[14] 140	[20] 200	[26] 260	[32] 320	[38] 380	—	—	—	—	—
TU 40	[14] 140	[20] 200	[26] 260	[32] 320	[38] 380	—	—	—	—	—
TU 50	[18] 180	[26] 260	[34] 340	[42] 420	[50] 500	[58] 580	[66] 660	—	—	—
TU 60	[24] 244	[34] 344	[44] 444	[54] 544	[64] 644	[74] 744	—	—	—	—
TU 86	[44] 442	[54] 542	[64] 642	[74] 742	[84] 842	[94] 942	[104] 1042	[114] 1142	—	—

Remark: For stroke length, please see the dimension tables shown in pages of II-81 or later.

5 Designation of motor attachment

AT100 : Motor inline specification Without motor attachment
 AT101 to AT125 : Motor inline specification With motor attachment
 AR100 : Motor folding back specification Without motor attachment
 AR101 to AR110 : Motor folding back specification With motor attachment

Application of motor folding back specification is shown in Table 3. To specify the motor attachment, select it from the list of Table 6.1 and Table 6.2.

- Motor should be prepared by customer.
- Please specify motor folding back specification and motor attachment applicable to motor for use.
- If motor inline specification with motor attachment is specified, the main body is shipped with a coupling indicated in the Table 7 mounted. However, the final position adjustment should be made by customer since it is only temporarily fixed. For a product without motor attachment (AT100), no coupling is attached.
- If motor folding back specification with motor attachment is specified, "housing applicable to the specified motor, pulley (on motor side and ball screw side), cover, motor bracket, belt and bolts necessary for assembly" are supplied. Motor mounting bolts should be prepared by customer.

Table 3 Application of motor folding back specification

Model and size	With motor attachment		Without motor attachment
	AC servomotor	Stepper motor	
TU 25	—	—	—
TU 30	—	—	—
TU 40	○	○	○
TU 50	○	○	○
TU 60	○	—	○
TU 86	○	—	○
TU100	—	—	—
TU130	—	—	—

6 Ball screw type

No symbol: Rolled screw
 G : Ground screw
 N : Without ball screw

From among various types of ball screws shown in Table 4, select your desired one.

When specifying N

- For the entry of section 5, specify AT100 or AR100, and for the entry of section 6, specify "No symbol".
- For the entry of section 10, select "Without sensor" (by specifying 0).
- In the entry of section 9, you cannot specify "With bellows".

7 Ball screw lead

From among ball screw leads applicable to the sizes shown in Table 4, select your desired one.

Table 4 Application of ball screw lead

Model and size	Ball screw type	Ball screw lead mm					
		4	5	8	10	20	25
TU 25	Ground screw	○	—	—	—	—	—
TU 30	Ground screw	—	○	—	—	—	—
TU 40	Rolled screw	○	—	○	—	—	—
	Ground screw	○	—	○	—	—	—
TU 50	Rolled screw	—	○	—	○	—	—
	Ground screw	—	○	—	○	—	—
TU 60	Rolled screw	—	○	—	○	—	—
	Ground screw	—	○ ⁽¹⁾	—	○ ⁽¹⁾	○ ⁽¹⁾	—
TU 86	Rolled screw	—	—	—	○ ⁽²⁾	○ ⁽²⁾	—
	Ground screw	—	—	—	○ ⁽²⁾	○	—
TU100	Ground screw	—	—	—	—	○	—
TU130	Ground screw	—	—	—	—	—	○

Notes ⁽¹⁾ This is not applied to track rail lengths of 990mm and 1,190mm.

⁽²⁾ This is not applied to track rail lengths of 1,390mm and 1,590mm.

8 Number of slide table

S: One unit
 C: Two units

9 Cover specification

0: Without cover
 C: With bridge cover (applied to TU...FC, TU...F, and TU...FG)
 J: With bellows (applied to TU60S and TU86S)

- When specifying "With bellows (J)", select 1 piece (by specifying S) for the entry of section 6.
- "With bellows" type is not provided for TU60 with track rail lengths of 990 and 1,190mm and TU86 with track rail lengths of 1,390 and 1,590mm.
- "With bridge cover" type is not provided for TU60 with track rail lengths of 1,190mm and TU86 with track rail lengths of 1,590mm.

10 Specification of sensor

0: Without a sensor, without a sensor rail
 2: Two sensors (limit), with a sensor rail
 3: Three sensors (limit and pre-origin), with a sensor rail
 4: Four sensors (limit, pre-origin, and origin), with a sensor rail
 9: Without a sensor, with a sensor rail

11 Specification of surface treatment

No symbol: Not treated
 R : Black chrome surface treatment 1
 Black chrome surface treatment is applied on the surfaces of a slide table and track rail.
 L : Black chrome surface treatment 2
 In addition to the black chrome surface treatment 1, this treatment is applied on the ball screw shaft and nut.

12 Specification of C-Lube

No symbol: No C-Lube
 Q : Table with C-Lube

A C-Lube is mounted on the slide table and the end face of a nut of ball screw. The C-Lube is a lubrication part with much lubricant oil impregnated in the consecutive porous resin. Sliding or moving along a smooth surface with contact on the track rail and the raceway surface of the ball screw causes the lubricant oil within the plate to continue to seep on the raceway surface, thus reducing the number of hours for maintenance caused by the extension of lubrication interval. This is an effective countermeasure for the attrition of grease at the location difficult to be lubricated.

- When specifying Q, for the entry of section 6, select ground screw (by specifying G) or without ball screw (by specifying N).

Table 5 Application of C-Lube

Model and size	Rolled screw	Ground screw	Without ball screw
TU 25	—	—	—
TU 30	—	—	—
TU 40	—	○	○
TU 50	—	○	○
TU 60	—	○	○
TU 86 ⁽¹⁾	—	○	○
TU100	—	○	○
TU130	—	○	○

Note ⁽¹⁾ For the track rail lengths of 1,390mm and 1,590mm in TU86, please contact IKO.

Identification Number and Specification

Table 6.1 Application of motor attachment (motor inline specification)

Type	Models of motor to be used				Flange size mm	Motor attachment								
	Manufacturer	Series	Model	Rated output W		TU25	TU30	TU40	TU50	TU60	TU86	TU100	TU130	
AC servomotor	YASKAWA ELECTRIC CORPORATION	Σ-7	SGM7M-A2A	22	□25	AT101	AT101	-	-	-	-	-	-	-
			SGM7M-A3A	33		AT101	AT101	-	-	-	-	-	-	-
			SGM7J-A5A	50	□40	-	-	AT102	AT102	-	-	-	-	-
			SGM7A-A5A			-	-	AT102	AT102	-	-	-	-	-
			SGM7J-01A	100	□40	-	-	AT102	AT102	AT103	-	-	-	-
			SGM7A-01A			-	-	AT102	AT102	AT103	-	-	-	
			SGM7A-C2A	150	□60	-	-	-	-	AT103	-	-	-	-
			SGM7J-02A	200		-	-	-	-	AT104	AT105	-	-	-
			SGM7A-02A		-	-	-	-	AT104	AT105	-	-	-	
			SGM7J-04A	400	□60	-	-	-	-	-	AT106	AT107	-	-
			SGM7A-04A			-	-	-	-	-	AT106	AT107	-	-
			SGM7A-06A	600	□80	-	-	-	-	-	-	AT106	AT107	-
			SGM7J-08A	750		-	-	-	-	-	-	-	-	AT108
			SGM7A-08A			-	-	-	-	-	-	-	-	-
			Mitsubishi Electric Corporation	J4/J5	HG-AK0236	20	□25	AT101	AT101	-	-	-	-	-
	HG-AK0336	30			AT101	AT101		-	-	-	-	-	-	
	HG-MR053	50			□40	-	-	AT102	AT102	-	-	-	-	
	HG-KR053/HK-KT053W					-	-	AT102	AT102	-	-	-	-	
	HG-MR13	100			□40	-	-	AT102	AT102	AT103	-	-	-	
	HG-KR13/HK-KT13W					-	-	AT102	AT102	AT103	-	-	-	
	HG-MR23	200			□60	-	-	-	-	AT104	AT105	-	-	
	HG-KR23/HK-KT23W					-	-	-	-	AT104	AT105	-	-	
	HG-MR43	400			□60	-	-	-	-	-	AT106	AT107	-	
	HG-KR43/HK-KT43W					-	-	-	-	-	AT106	AT107	-	
	HG-MR73	750			□80	-	-	-	-	-	-	-	AT108	
	HG-KR43/HK-KT7M3W					-	-	-	-	-	-	-	-	AT108
	Panasonic Corporation	MINAS A6			MSMF5A	50	□38	-	-	AT110	AT110	-	-	-
					MSMF01	100		-	-	AT110	AT110	AT111	-	-
					MSMF02	200	□60	-	-	-	-	AT112	AT113	-
			MSMF04	400	-	-		-	-	AT114	AT115	-		
			MSMF08	750	-	-		-	-	-	-	AT116		
	Hiachi Industrial Equipment Systems Co., Ltd	AD	ADMA-R5L	50	□40	-	-	AT102	AT102	-	-	-		
			ADMA-01L	100		-	-	AT102	AT102	AT103	-	-		
ADMA-02L			200	□60	-	-	-	-	AT104	AT105	-			
ADMA-04L			400		-	-	-	-	AT106	AT107	-			
ADMA-08L			750		-	-	-	-	-	-	AT108			
Stepper motor	ORIENTAL MOTOR Co., Ltd.	α step	ARM46		□42	-	-	AT117	AT117	-	-	-		
			ARM66		□60	-	-	-	-	AT118	AT119	-		
			ARM69		□60	-	-	-	-	AT118	AT119	-		
			ARM98		□85	-	-	-	-	-	AT120	AT121		
			ARM911		□85	-	-	-	-	-	AT120	AT121		
	RKS CRK	CRK52		□28	AT125	AT125	-	-	-	-	-			
		CRK54		□42	-	-	AT122	AT122	-	-	-			
		CRK56 (1)		□60	-	-	-	-	AT123	AT124	-			
		RKS59		□85	-	-	-	-	-	-	AT120	AT121		

Note (1) Applicable to the outer diameter φ8 of motor output shaft.

Remark: For detailed motor specifications, please see respective motor manufacturer's catalog.

Table 6.2 Application of NEMA motor attachment (motor inline specification)

Type	Motor to be used				Flange size inch	Motor attachment								
	Manufacturer	Series	Model	Rated output W		TU25	TU30	TU40	TU50	TU60	TU86	TU100	TU130	
AC servo motor	Allen-Bradley	TLY (metric)	TLY-A110(AA type)	41W	□40			AT102	AT102	AT103				
			TLY-A120(AA type)	86W	□40			AT102	AT102	AT103				
			TLY-A130(AA type)	140W	□40			AT102	AT102	AT103				
			TLY-A220(AA type)	350W	□60					AT104 (4-a)	AT105 (4-a)	AT107 (4-b)	AT107 (4-c)	
			TLY-A230(AA type)	440W	□60					AT104 (4-a)	AT105 (4-a)	AT107 (4-b)	AT107 (4-c)	
			TLY-A2530(AA type)	690W	□80							AT108 (4-b)	AT108 (4-e)	
			TLY-A2540(AA type)	860W	□80							AT108 (4-b)	AT108 (4-e)	
		TLY (NEMA)	TLY-A120(AN type)	86W	□42					TAE9043-ATE140 (1)				
			TLY-A130(AN type)	140W	□42					TAE9043-ATE140 (1)				
			TLY-A220(AN type)	350W	□56.4					TAE9017-ATE139 (1)	TAE9017-ATE129 (1)			
			TLY-A230(AN type)	440W	□56.4					TAE9017-ATE139 (1)	TAE9017-ATE129 (1)			
			TLY-A2530(AN type)	690W	□86						TAE9047-ATE130 (1)	TAE9047-ATE062 (1)		
			TLY-A2540(AN type)	860W	□86						TAE9047-ATE130 (1)	TAE9047-ATE062 (1)		
			(NEMA11C)					AT125 (2) (3)	-	-	-	-	-	-
			NEMA17C					TAE9065-ATE063 (1) (2)	AT122 (2) (3)	-	-	-	-	-
Servo or Stepper	NEMA23D							TAE9059-ATE054 (1) (2)	TAE9014-ATE094 (1) (3)	TAE9017-ATE093 (1) (3)	-	-		
									TAE9014-ATE41 (1) (3)	TAE9017-ATE058 (1) (3)	-	-		
										TAE9056-ATE45 (1) (3)	TAE9047-ATE062 (1) (2)			
											TAE9047-ATE060 (1) (2)			

Note (1) The TAE part numbers are the part number of motor attachment component sold separately. In the TU part number, please choose the motor attachment code AT100. No Coupling is included. It is required to consider customer's operation patterns for these motor attachment.

(2) Please confirm the length and the diameter of the motor shaft etc., and check the usability of the motor attachment with your motor beforehand.

(3) The appended coupling may not be used depending on the motor's specification, while these AT part number motor attachments will be delivered with the particular coupling as standard.

(4-a) (4-b) (4-c) (4-d) (4-e)

The appended coupling as standard will not be used. It is required to change the delivered coupling.

Please refer to Table 6.3.

Remark: For detailed motor specifications, please see respective motor manufacturer's catalog.

Table 6.3 Recommended coupling of IKO motor attachment for Allen Bradley

Note	Motor Attachment	Coupling	Motor Shaft Diameter	Recommended Coupling
4-a	AT104/ AT105	Appended	φ12	UA-30C-8×12
4-b	AT107(TU100)	Appended	φ12	UA-40C-12×12
4-c	AT107(TU130)	Appended	φ15	UA-40C-12×15
4-d	AT108(TU100)	Appended	φ16	UA-40C-12×16
4-e	AT108(TU130)	Appended	φ16	UA-40C-15×16

Table 6.4 Application of motor attachment (motor folding back specification)

Models of motor to be used					Flange size mm	Motor attachment			
Type	Manufacturer	Series	Model	Rated output W		TU40	TU50	TU60	TU86
AC servo motor	YASKAWA ELECTRIC CORPORATION	Σ-7	SGM7J-A5A	50	□40	AR101	AR101	-	-
			SGM7A-A5A			AR101	AR101	-	-
			SGM7J-01A	100		AR101	AR101	AR102	-
			SGM7A-01A			AR101	AR101	AR102	-
			SGM7A-C2A	150		-	-	AR102	-
			SGM7J-02A	200		□60	-	-	AR103
	SGM7A-02A	-	-		AR103	AR104			
	Mitsubishi Electric Corporation	J4/J5	HG-MR053	50	□40	AR101	AR101	-	-
			HG-KR053/HK-KT053W			AR101	AR101	-	-
			HG-MR13	100		AR101	AR101	AR102	-
			HG-KR13/HK-KT13W			AR101	AR101	AR102	-
			HG-MR23	200		□60	-	-	AR103
	HG-KR23/HK-KT23W	-	-		AR103	AR104			
	Panasonic Corporation	MINAS A6	MSMF5A	50	□38	AR105	AR105	-	-
			MSMF01	100		AR105	AR105	AR106	-
			MSMF02	200		-	-	AR107	AR108
	Hitachi Industrial Equipment Systems Co., Ltd	AD	ADMA-R5L	50	□40	AR101	AR101	-	-
			ADMA-01L	100		AR101	AR101	AR102	-
ADMA-02L			200	□60		-	-	AR103	AR104
Stepper motor	ORIENTAL MOTOR Co., Ltd.	α step	ARM46		□42	AR109	AR109	-	-
		CRK	CRK54		□42	AR110	AR110	-	-

Remark: For detailed motor specifications, please see respective motor manufacturers' catalog.

Table 7 Coupling models (motor inline specification)

Motor attachment	Coupling models	Manufacturer	Coupling inertia J_c ×10 ⁻⁵ kg·m ²
AT101	UA-15C- 5× 5	Sakai Manufacturing Co., Ltd	0.024
AT102	UA-20C- 5× 8	Sakai Manufacturing Co., Ltd	0.086
AT103	UA-25C- 8× 8	Sakai Manufacturing Co., Ltd	0.29
AT104	UA-30C- 8×14	Sakai Manufacturing Co., Ltd	0.603
AT105	UA-30C- 8×14	Sakai Manufacturing Co., Ltd	0.603
AT106	UA-35C- 8×14	Sakai Manufacturing Co., Ltd	1.34
AT107	UA-40C-12×14	Sakai Manufacturing Co., Ltd	2.61
AT108	UA-40C-15×19	Sakai Manufacturing Co., Ltd	2.61
AT109	UA-15C- 5× 6	Sakai Manufacturing Co., Ltd	0.024
AT110	UA-20C- 5× 8	Sakai Manufacturing Co., Ltd	0.086
AT111	UA-25C- 8× 8	Sakai Manufacturing Co., Ltd	0.29
AT112	UA-30C- 8×11	Sakai Manufacturing Co., Ltd	0.603
AT113	UA-30C- 8×11	Sakai Manufacturing Co., Ltd	0.603
AT114	UA-35C- 8×14	Sakai Manufacturing Co., Ltd	1.34
AT115	UA-40C-12×14	Sakai Manufacturing Co., Ltd	2.61
AT116	UA-40C-15×19	Sakai Manufacturing Co., Ltd	2.61
AT117	MSTS-16C- 5× 6	Nabeya Bi-tech Kaisha	0.090
AT118	MSTS-25C- 8×10	Nabeya Bi-tech Kaisha	0.710
AT119	MSTS-25C- 8×10	Nabeya Bi-tech Kaisha	0.710
AT120	MSTS-40C-12×14	Nabeya Bi-tech Kaisha	9.0
AT121	MSTS-40C-14×15	Nabeya Bi-tech Kaisha	9.0
AT122	MSTS-16C- 5× 5	Nabeya Bi-tech Kaisha	0.090
AT123	MSTS-25C- 8× 8	Nabeya Bi-tech Kaisha	0.710
AT124	MSTS-25C- 8× 8	Nabeya Bi-tech Kaisha	0.710
AT125	MSTS-12C- 5× 5	Nabeya Bi-tech Kaisha	0.022
TAE9017-ATE139	XGT-25CS- 8×12.7 (Customized)	Nabeya Bi-tech Kaisha	0.250
TAE9017-ATE129	XGS-30C- 8×12.7 (Customized)	Nabeya Bi-tech Kaisha	0.550
TAE9047-ATE130	XGS-34C- 8×15.875(Customized)	Nabeya Bi-tech Kaisha	1.000
TAE9043-ATE140	MSTS-16C- 5×6.35	Nabeya Bi-tech Kaisha	0.090
TAE9047-ATE062 (TU100)	XGT-34CS-15.875×12 (Customized)	Nabeya Bi-tech Kaisha	1.000
TAE9047-ATE062 (TU130)	XGT-34CS-15.875×15 (Customized)	Nabeya Bi-tech Kaisha	1.000

Remark: For detailed coupling specification, please see respective manufacturer's catalog.

Specifications

Table 8.1 TU accuracy (rolled screw)

unit: mm

Length of track rail		Positioning repeatability	Parallelism in table motion B	Backlash (1)
Above	Below			
-	500	±0.025 (±0.040)	0.015	0.050
500	800		0.020	
800	1 200		0.025	

Note(1) This does not apply to table of motor folding back specification.

Remark: The positioning repeatability values in () are reference values provided that the timing belt tension is properly adjusted in motor folding back specification table.

Table 8.2 TU accuracy (ground screw)

unit: mm

Length of track rail		Positioning repeatability		Positioning accuracy (1)		Parallelism in table motion B		Backlash (1)
Above	Below	Short table	Standard table Long table	Short table	Standard table Long table	Short table	Standard table Long table	
-	400(350)	±0.004 (±0.020)	±0.002 (±0.020)	0.030	0.020	0.015	0.008	0.003
400(350)	500(500)			0.035	0.025	0.020	0.010	
500(500)	600(550)			0.040	0.030		0.025	
600(550)	700(700)					0.045		
700(700)	800(800)			0.050	0.040		-	
800(800)	900(900)					-		
900(900)	1 000(1 000)			-	0.045		-	
1 000(1 000)	1 100(1 100)					-		
1 100(1 100)	1 200			-	0.045		-	
1 200	1 400					-		
1 400	1 500			-	-		-	
1 500	1 610					-		

Note (1) This does not apply to table of motor folding back specification.

Remark: The positioning repeatability values in () are reference values provided that the timing belt tension is properly adjusted in motor folding back specification table.

Table 9.1 Maximum speed (AC servomotor)

Motor type	Model and size	Length of track rail mm	Maximum speed mm/s						
			Lead 4mm	Lead 5mm	Lead 8mm	Lead 10mm	Lead 20mm	Lead 25mm	
AC servo motor	TU 25	200 or less	400	—	—	—	—	—	
	TU 30	340 or less	—	500	—	—	—	—	
	TU 40	—	400 (390)	—	800 (790)	—	—	—	
	TU 50	540 or less	—	500 (390)	—	1 000 (780)	—	—	—
		620	—	370 (350)	—	750 (710)	—	—	—
		700	—	280 (270)	—	560 (540)	—	—	—
	TU 60	590 or less	—	470 (330)	—	930 (660)	1 860	—	—
		690	—	380 (330)	—	780 (660)	1 620	—	—
		790	—	270 (270)	—	560 (560)	1 170	—	—
		990	—	160 (160)	—	330 (330)	—	—	—
	TU 86	1 190	—	110 (110)	—	210 (210)	—	—	—
		690 or less	—	—	—	750 (530)	1 480 (1 050)	—	—
		790	—	—	—	700 (530)	1 410 (1 050)	—	—
		890	—	—	—	530 (530)	1 060 (1 050)	—	—
		990	—	—	—	410 (410)	830 (830)	—	—
		1 090	—	—	—	330 (330)	670 (670)	—	—
		1 190	—	—	—	270 (270)	550 (550)	—	—
		1 390	—	—	—	—	530	—	—
		1 590	—	—	—	—	390	—	—
		1 010	—	—	—	—	1 110	—	—
	TU100	1 160	—	—	—	—	990	—	—
		1 310	—	—	—	—	730	—	—
		1 460	—	—	—	—	560	—	—
		1 010	—	—	—	—	—	1 110	—
	TU130	1 160	—	—	—	—	—	1 110	—
		1 310	—	—	—	—	—	1 110	—
		1 460	—	—	—	—	—	930	—
		1 610	—	—	—	—	—	730	—

Remark 1. The value in () is applicable to rolled screws.
 2. To measure the practical maximum speed, it is required to consider operation patterns based on the motor to be used and load conditions.

Table 9.2 Maximum speed (stepper motor)

Motor type	Model and size	Length of track rail mm	Number of revolutions of motor min ⁻¹	Maximum speed mm/s						
				Lead 4mm	Lead 5mm	Lead 8mm	Lead 10mm	Lead 20mm	Lead 25mm	
Stepper motor	TU 25	200 or less	1 800	120	—	—	—	—	—	
	TU 30	340 or less	1 800	—	150	—	—	—	—	
	TU 40	—	1 800	120	—	240	—	—	—	
	TU 50	—	1 800	—	150	—	300	—	—	
	TU 60	790 or less	1 800	—	—	—	—	600	—	—
		990 or less	1 800	—	150	—	300	—	—	—
		1 190	1 290	—	108	—	215	—	—	—
	TU 86	990 or less	1 800	—	—	—	300	600	—	—
		1 090	1 770	—	—	—	295	590	—	—
		1 190	1 460	—	—	—	243	487	—	—
		1 390	1 610	—	—	—	—	537	—	—
		1 590	1 200	—	—	—	—	400	—	—
	TU100	1 160 or less	1 800	—	—	—	—	600	—	—
		1 310	1 780	—	—	—	—	593	—	—
		1 460	1 400	—	—	—	—	467	—	—
	TU130	1 310 or less	1 800	—	—	—	—	—	750	—
		1 460	1 720	—	—	—	—	—	717	—
		1 610	1 390	—	—	—	—	—	579	—

Remark: To measure the practical maximum speed, it is required to consider operation patterns based on the motor to be used and load conditions.

Table 10.1 Maximum carrying mass

Model and size	Ball screw type	Ball screw lead mm	Length of slide table	Carrying mass position mm	Maximum carrying mass kg								
					Length L	Horizontal direction				Vertical direction			
						0	100	200	300	0	100	200	300
TU25	Ground screw	4	Standard	Height H	0	11	1.3	0.6	0.4	4.8	0.5	0.2	0.1
				100	6	1.1	0.6	0.4	0.6	0.3	0.2	0.1	
				200	3.7	1.0	0.6	0.4	0.3	0.2	0.1	0.1	
				300	2.7	0.9	0.5	0.4	0.2	0.1	0.1	0.1	
TU30	Ground screw	5	Standard	Height H	0	15	1.9	0.9	0.6	5	0.7	0.3	0.2
				100	7	1.6	0.9	0.6	0.9	0.5	0.3	0.2	
				200	4.5	1.4	0.8	0.6	0.5	0.3	0.2	0.2	
				300	3.2	1.3	0.8	0.5	0.3	0.2	0.2	0.1	
TU40	Ground screw	4	Short	Height H	0	24	7	4.1	2.8	11	2.4	1.2	0.8
				100	22	6	3.8	2.6	2.3	1.5	1.0	0.7	
				200	13	5	3.4	2.5	1.2	0.9	0.8	0.6	
			300	9	4.8	3.1	2.3	0.8	0.7	0.6	0.5		
			0	39	11	6	4.1	11	5	2.6	1.7		
		Standard	100	39	10	5	3.9	4.7	3.1	2.0	1.4		
			200	25	8	5	3.7	2.5	1.9	1.6	1.2		
			300	18	7	4.9	3.6	1.7	1.4	1.2	1.1		
			0	59	15	8	5	11	9	4.9	3.3		
			100	59	14	7	5	8	5	3.8	2.8		
	Long	200	44	13	7	5	4.8	3.7	3.0	2.4			
		300	32	12	7	5	3.2	2.7	2.3	2.0			
		0	24	5	2.9	1.9	7	1.9	1.0	0.6			
		100	9	3.9	2.4	1.7	1.8	1.2	0.7	0.5			
		200	5	3.0	2.1	1.5	0.9	0.7	0.6	0.4			
	Ground screw	8	Short	Height H	0	39	8	4.3	2.9	7	3.9	2.0	1.3
				100	18	6	3.8	2.7	3.6	2.4	1.5	1.1	
				200	11	5	3.4	2.5	1.9	1.5	1.2	1.0	
			300	7	4.4	3.0	2.3	1.3	1.1	0.9	0.8		
			0	46	11	6	4.1	7	7	3.8	2.6		
Long		100	33	9	5	3.9	6	4.5	3.0	2.2			
		200	20	8	5	3.7	3.7	2.9	2.4	1.8			
		300	14	7	4.7	3.4	2.5	2.1	1.8	1.6			
		0	24	7	4.1	2.8	8	2.4	1.2	0.8			
		100	22	6	3.8	2.6	2.3	1.5	1.0	0.7			
Rolled screw	4	Short	Height H	0	39	11	6	4.1	8	5	2.6	1.7	
			100	39	10	5	3.9	4.7	3.1	2.0	1.4		
			200	25	8	5	3.7	2.5	1.9	1.6	1.2		
		300	18	7	4.9	3.6	1.7	1.4	1.2	1.1			
		0	59	15	8	5	8	8	4.9	3.3			
	Standard	100	59	14	7	5	8	5	3.8	2.8			
		200	44	13	7	5	4.8	3.7	3.0	2.4			
		300	32	12	7	5	3.2	2.7	2.3	2.0			
		0	24	5	2.9	1.9	5	1.9	1.0	0.6			
		100	9	3.9	2.4	1.7	1.8	1.2	0.7	0.5			
Rolled screw	8	Short	Height H	0	32	8	4.3	2.9	4.9	3.9	2.0	1.3	
			100	18	6	3.8	2.7	3.6	2.4	1.5	1.1		
			200	11	5	3.4	2.5	1.9	1.5	1.2	0.9		
		300	7	4.4	3.0	2.3	1.3	1.1	0.9	0.8			
		0	32	11	6	4.1	4.8	4.8	3.8	2.6			
Long	100	32	9	5	3.9	4.8	4.5	3.0	2.2				
	200	20	8	5	3.7	3.7	2.9	2.4	1.8				
	300	14	7	4.7	3.4	2.5	2.1	1.8	1.6				
	0	24	5	2.9	1.9	5	1.9	1.0	0.6				
	100	9	3.9	2.4	1.7	1.8	1.2	0.7	0.5				

Remarks 1. The value is for one slide table.
 2. The maximum carrying mass is adjusted by the mass when the rating life of the linear motion rolling guide, ball screws, or bearings is 18,000 hours during continuous operation at a number of revolutions of the motor of 3000min⁻¹ and an acceleration/deceleration time of 0.2s. The mass calculated is based upon the basic static load rating of the linear motion rolling guide.

Table 10.2 Maximum carrying mass

Model and size	Ball screw type	Ball screw lead mm	Length of slide table	Carrying mass position mm	Maximum carrying mass kg							
					Horizontal direction				Vertical direction			
					Length L	0	100	200	300	0	100	200
TU50	Ground screw	5	Short	0	35	12	6	4.7	13	3.9	2.1	1.4
				100	28	10	6	4.3	3.7	2.4	1.6	1.2
				200	17	8	5	4.0	2.0	1.5	1.3	1.0
				300	12	7	4.9	3.7	1.3	1.1	1.0	0.8
			Standard	0	64	20	11	7	13	9	5	3.4
				100	60	17	10	7	9	6	4.0	2.9
				200	39	15	9	6	4.9	3.8	3.1	2.5
				300	28	13	8	6	3.3	2.8	2.4	2.1
			Long	0	100	29	15	10	13	13	10	6
				100	100	26	14	10	13	12	8	5
				200	71	23	14	10	9	7	6	5
				300	53	21	13	9	6	5	4.9	4.3
	Ground screw	10	Short	0	35	8	4.6	3.2	8	3.0	1.6	1.1
				100	12	5	3.7	2.7	2.8	1.9	1.2	0.9
				200	7	4.4	3.1	2.4	1.5	1.2	1.0	0.8
				300	5	3.5	2.6	2.1	1.0	0.9	0.7	0.6
			Standard	0	44	14	7	5	8	7	3.9	2.7
				100	28	11	6	4.9	7	4.6	3.1	2.2
				200	17	9	6	4.4	3.8	3.0	2.4	1.9
				300	12	7	5	4.1	2.6	2.2	1.9	1.6
			Long	0	43	21	11	7	8	8	7	5
				100	43	17	10	7	8	8	6	4.5
				200	32	14	9	6	7	6	4.9	3.9
				300	23	12	8	6	5	4.4	3.8	3.3
	Rolled screw	5	Short	0	35	12	6	4.7	11	3.9	2.1	1.4
				100	28	10	6	4.3	3.7	2.4	1.6	1.2
				200	17	8	5	4.0	2.0	1.5	1.3	1.0
				300	12	7	4.9	3.7	1.3	1.1	1.0	0.8
			Standard	0	64	20	11	7	11	9	5	3.4
				100	60	17	10	7	9	6	4.0	2.9
				200	39	15	9	6	4.9	3.8	3.1	2.5
				300	28	13	8	6	3.3	2.8	2.4	2.1
			Long	0	100	29	15	10	11	11	10	6
				100	100	26	14	10	11	11	8	5
				200	71	23	14	10	9	7	6	5
				300	53	21	13	9	6	5	4.9	4.3
Rolled screw	10	Short	0	35	8	4.6	3.2	9	3.0	1.6	1.1	
			100	12	5	3.7	2.7	2.8	1.9	1.2	0.9	
			200	7	4.4	3.1	2.4	1.5	1.2	1.0	0.8	
			300	5	3.5	2.6	2.1	1.0	0.9	0.7	0.6	
		Standard	0	47	14	7	5	8	7	3.9	2.7	
			100	28	11	6	4.9	6	4.6	3.1	2.2	
			200	17	9	6	4.4	3.8	2.9	2.4	1.9	
			300	12	7	5	4.1	2.6	2.2	1.9	1.6	
		Long	0	47	21	11	7	8	8	7	5	
			100	47	17	10	7	8	8	6	4.5	
			200	32	14	9	6	7	6	4.9	3.9	
			300	23	12	8	6	5	4.4	3.8	3.3	

Remarks 1. The value is for one slide table.

2. The maximum carrying mass is adjusted by the mass when the rating life of the linear motion rolling guide, ball screws, or bearings is 18,000 hours during continuous operation at a number of revolutions of the motor of 3000min⁻¹ and an acceleration/deceleration time of 0.2s. The mass calculated is based upon the basic static load rating of the linear motion rolling guide.

Table 10.3 Maximum carrying mass

Model and size	Ball screw type	Ball screw lead mm	Length of slide table	Carrying mass position mm	Maximum carrying mass kg								
					Horizontal direction				Vertical direction				
					Length L	0	100	200	300	0	100	200	300
TU60	Ground screw	5	Short	0	48	19	10	7	16	6	3.3	2.3	
				100	43	15	9	6	5	3.9	2.6	1.9	
				200	27	13	8	6	3.2	2.5	2.0	1.6	
				300	19	11	7	5	2.2	1.8	1.6	1.4	
			Standard	0	88	31	17	11	16	15	8	5	
				100	88	27	15	11	14	9	6	4.7	
				200	60	24	14	10	7	6	5	4.0	
				300	45	21	13	10	5	4.5	3.9	3.4	
			Long	0	146	46	25	17	15	15	15	12	
				100	146	42	24	16	15	15	14	10	
				200	119	39	23	16	15	13	11	9	
				300	91	36	22	15	12	10	8	7	
		Ground screw	10	Short	0	48	12	7	4.9	11	4.9	2.6	1.7
					100	19	9	5	4.2	4.5	3.0	2.0	1.4
					200	11	6	4.8	3.7	2.4	1.9	1.6	1.2
					300	8	5	4.2	3.3	1.7	1.4	1.2	1.1
				Standard	0	58	22	12	8	10	10	6	4.3
					100	44	17	10	7	10	7	4.9	3.6
					200	27	14	9	7	6	4.7	3.9	3.1
					300	19	11	8	6	4.1	3.5	3.0	2.6
				Long	0	58	34	18	13	10	10	10	9
					100	58	29	17	12	10	10	10	8
					200	56	24	15	11	10	10	8	7
					300	41	21	14	10	9	7	6	6
	Ground screw	20	Short	0	29	7	3.9	2.6	10	3.5	1.9	1.2	
				100	8	4.5	3.1	2.3	3.2	2.2	1.4	1.0	
				200	4.8	3.2	2.4	1.9	1.8	1.4	1.1	0.9	
				300	3.3	2.5	2.0	1.6	1.2	1.0	0.9	0.8	
			Standard	0	29	14	7	5	10	8	4.6	3.1	
				100	19	9	6	4.6	8	5	3.6	2.6	
				200	11	7	5	4.0	4.4	3.4	2.8	2.2	
				300	8	5	4.3	3.5	3.0	2.5	2.2	1.9	
			Long	0	28	23	13	9	9	9	9	7	
				100	28	17	11	8	9	9	8	5	
				200	24	13	9	7	9	7	6	5	
				300	17	11	8	6	6	5	5	4.4	
	Rolled screw	5	Short	0	48	19	10	7	14	6	3.3	2.3	
				100	43	15	9	6	5	3.9	2.6	1.9	
				200	27	13	8	6	3.2	2.5	2.0	1.6	
				300	19	11	7	5	2.2	1.8	1.6	1.4	
			Standard	0	88	31	17	11	13	13	8	5	
				100	88	27	15	11	13	9	6	4.7	
				200	60	24	14	10	7	6	5	4.0	
				300	45	21	13	10	5	4.5	3.9	3.4	
			Long	0	143	46	25	17	13	13	13	12	
				100	143	42	24	16	13	13	13	10	
				200	119	39	23	16	13	13	11	9	
				300	91	36	22	15	12	10	8	7	
Rolled screw	10	Short	0	46	12	7	4.9	8	4.9	2.6	1.7		
			100	19	9	5	4.2	4.5	3.0	2.0	1.4		
			200	11	6	4.8	3.7	2.4	1.9	1.6	1.2		
			300	8	5	4.2	3.3	1.7	1.4	1.2	1.1		
		Standard	0	45	22	12	8	8	8	6	4.3		
			100	44	17	10	7	8	7	4.9	3.6		
			200	27	14	9	7	6	4.7	3.9	3.1		
			300	19	11	8	6	4.1	3.5	3.0	2.6		
		Long	0	45	34	18	13	8	8	8	8		
			100	45	29	17	12	8	8	8	8		
			200	45	24	15	11	8	8	8	7		
			300	41	21	14	10	8	7	6	6		

Remarks 1. The value is for one slide table.

2. The maximum carrying mass is adjusted by the mass when the rating life of the linear motion rolling guide, ball screws, or bearings is 18,000 hours during continuous operation at a number of revolutions of the motor of 3000min⁻¹ and an acceleration/deceleration time of 0.2s. The mass calculated is based upon the basic static load rating of the linear motion rolling guide.

Table 10.4 Maximum carrying mass

Model and size	Ball screw type	Ball screw lead mm	Length of slide table	Carrying mass position mm	Maximum carrying mass kg								
					Height H	Horizontal direction				Vertical direction			
						0	100	200	300	0	100	200	300
TU 86	Ground screw	10	Short	0	97	33	19	13	29	13	7	5	
				100	50	24	15	11	12	8	5	4.2	
				200	31	18	13	10	6	5	4.5	3.6	
			300	22	15	11	9	4.7	4.0	3.5	3.1		
			Standard	0	154	68	39	27	28	28	24	16	
				100	142	56	34	25	28	27	19	14	
		200		93	47	31	23	22	18	15	12		
		Long	300	69	40	28	21	16	13	11	10		
			0	154	85	48	34	28	28	28	25		
			100	154	73	44	31	28	28	28	21		
		Ground screw	20	Short	0	57	19	10	7	20	9	5	3.6
					100	22	12	8	6	8	6	4.1	3.0
	200				13	8	6	5	4.9	3.9	3.2	2.6	
	300			9	7	5	4.6	3.4	2.9	2.5	2.2		
	Standard			0	56	45	26	18	19	19	17	12	
				100	56	32	21	15	19	19	13	10	
			200	41	25	17	13	16	13	11	8		
	Long		300	29	20	15	12	11	9	8	7		
			0	56	56	33	23	18	18	18	18		
			100	56	44	28	21	18	18	18	15		
	Rolled screw		10	Short	0	97	33	19	13	23	13	7	5
					100	50	24	15	11	12	8	5	4.2
		200			31	18	13	10	6	5	4.5	3.6	
		300		22	15	11	9	4.7	4.0	3.5	3.1		
		Standard		0	125	68	39	27	22	22	22	16	
				100	125	56	34	25	22	22	19	14	
			200	93	47	31	23	22	18	15	12		
		Long	300	69	40	28	21	16	13	11	10		
			0	124	85	48	34	22	22	22	22		
			100	124	73	44	31	22	22	22	21		
		Rolled screw	20	Short	200	124	63	40	30	22	22	22	18
					300	102	55	37	28	22	20	18	15
	0				49	19	10	7	17	9	5	3.6	
	Standard			100	22	12	8	6	8	6	4.1	3.0	
				200	13	8	6	5	4.9	3.9	3.2	2.6	
				300	9	7	5	4.6	3.4	2.9	2.5	2.2	
	Long		0	48	45	26	18	16	16	16	12		
			100	48	32	21	15	16	16	13	10		
			200	41	25	17	13	16	13	11	8		
	TU100		Ground screw	Standard	300	29	20	15	12	11	9	8	7
					0	48	48	33	23	15	15	15	15
					100	48	44	28	21	15	15	15	15
		Long		200	48	35	24	18	15	15	15	13	
				300	44	29	21	17	15	15	13	11	
				0	83	67	39	27	28	28	27	19	
		TU130	Ground screw	Standard	100	83	49	32	24	28	28	21	16
					200	63	38	27	21	26	20	17	13
					300	45	31	23	18	18	15	13	11
Standard			0	94	87	52	37	37	37	36	24		
			100	94	60	41	31	37	37	28	21		
			200	68	45	34	27	33	26	22	18		
300	50	36	28	23	23	20	17	15					

Remarks 1. The value is for one slide table.

2. The maximum carrying mass is adjusted by the mass when the rating life of the linear motion rolling guide, ball screws, or bearings is 18,000 hours during continuous operation at a number of revolutions of the motor of 3000min⁻¹ and an acceleration/deceleration time of 0.2s. The mass calculated is based upon the basic static load rating of the linear motion rolling guide.

Table 11 Maximum load mass

Model and size	Ball screw lead mm	Length of slide table	Maximum load mass kg	
			Horizontal direction	Vertical direction
TU 25	4	Standard	75	18
TU 30	5	Standard	59	14
TU 40	4	Short	218	56
		Standard	218	56
	8	Long	217	56
		Short	114	28
TU 50	5	Standard	114	28
		Long	114	28
	10	Short	171	44
		Standard	171	44
TU 60	5	Long	170	44
		Short	90	21
		Standard	90	21
	10	Long	89	21
		Short	299	81
		Standard	299	81
TU 86	5	Long	299	81
		Short	169	42
		Standard	169	42
	10	Long	168	42
		Short	90	21
		Standard	89	21
TU 86	10	Long	89	21
		Short	538	141
		Standard	537	140
	20	Long	537	140
		Short	261	64
		Standard	260	64
TU100	20	Standard	259	64
TU130	25	Standard	261	67
			240	62

Remarks 1. The maximum load mass shows the mass that ensures acceleration/deceleration of 0.3G.

2. The values shown in this table were calculated with the motor with the highest rated torque installed, selected from the AC servomotor models listed in Table 6.1.

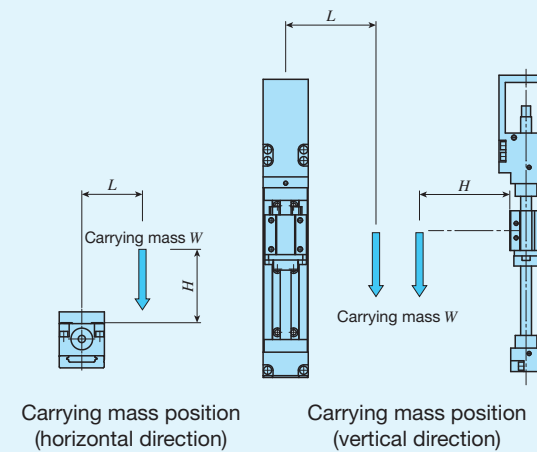
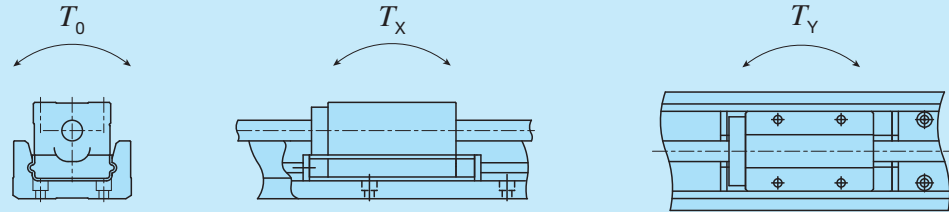


Table 12 Load rating of linear motion rolling guide

Model and size	Length of slide table	Basic dynamic load rating C N	Basic static load rating C ₀ N	Static moment rating ⁽¹⁾ N · m		
				T ₀	T _x	T _y
TU 25	Standard	1 770	2 840	20.3(40.6)	10.1(53.7)	8.4(45.0)
TU 30	Standard	2 280	3 810	34.9(69.8)	16.9(87.5)	14.2(73.4)
TU 40	Short	6 050	6 110	83.8(167.6)	22.8(185)	22.8(185)
	Standard	8 410	9 780	134 (268)	53.0(351)	53.0(351)
	Long	11 200	14 700	201 (402)	113 (649)	113 (649)
TU 50	Short	8 930	8 800	156 (312)	39.5(315)	39.5(315)
	Standard	13 500	15 800	280 (560)	114 (711)	114 (711)
	Long	18 400	24 600	436 (872)	260 (1 420)	260 (1 420)
TU 60	Short	12 400	12 000	236 (472)	62.7(486)	62.7(486)
	Standard	18 800	21 600	425 (850)	181 (1 150)	181 (1 150)
TU 86	Short	24 100	23 800	677 (1 354)	183 (1 280)	183 (1 280)
	Standard	41 400	51 500	1 470 (2 940)	764 (4 120)	764 (4 120)
	Long	49 900	67 300	1 920 (3 840)	1 270 (6 290)	1 270 (6 290)
TU100	Standard	54 600	68 500	2 230 (4 460)	1 210 (6 460)	1 210 (6 460)
TU130	Standard	70 300	88 800	3 920 (7 840)	1 830 (9 630)	1 830 (9 630)



Note ⁽¹⁾ In directions indicated in the above figures, the value in () is for two slide tables in close contact.

Table 13.1 Specifications of ball screw 1

Model and size	Ball screw type	Lead mm	Shaft dia. mm	Axial clearance mm	Basic dynamic load rating C N	Basic static load rating C ₀ N
TU 25	Ground screw	4	6	0.005 or less	950	1 630
TU 30	Ground screw	5	8	0.005 or less	1 080	2 160
TU 40	Rolled screw	4	8	0.05 or less	1 600	2 800
		8			1 000	1 600
TU 40	Ground screw	4	8	0.005 or less	2 290	3 575
		8			1 450	2 155
TU 50	Rolled screw	5	10	0.05 or less	2 300	4 800
		10			1 850	3 200
TU 50	Ground screw	5	10	0.005 or less	2 730	4 410
		10			1 720	2 745
TU 60	Rolled screw	5	12	0.05 or less	2 800	5 000
		10			1 800	3 200
		20			3 230	6 320
TU 60	Ground screw ⁽¹⁾	5	12	0.005 or less	2 300	3 920
		10			2 300	3 920
		20			4 900	9 100
TU 86	Rolled screw ⁽²⁾	10	15	0.05 or less	3 900	5 050
		20			6 080	12 500
		20			4 510	7 840
TU 86	Ground screw ⁽³⁾	20	20	0.005 or less	6 620	12 600
		20			6 620	12 600
TU100	Ground screw	20	20	0.005 or less	6 620	12 600
TU130	Ground screw	25	25	0.005 or less	9 700	19 600

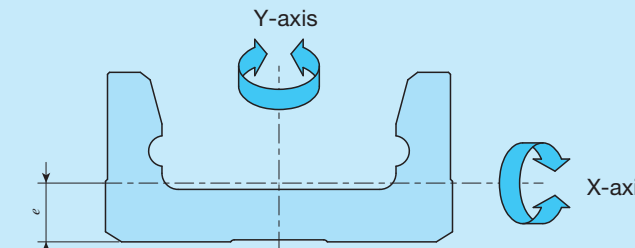
Notes ⁽¹⁾ This is not applied to track rail lengths of 990mm and 1,190mm.
⁽²⁾ This is not applied to track rail lengths of 1,390mm and 1,590mm.
⁽³⁾ This applies to track rail lengths of 1,390mm and 1,590mm.

Table 13.2 Specifications of ball screw 2

unit: mm

Model and size	Length of track rail	Ball screw type		Shaft dia.	Overall length		
TU 25	130	Ground	—	6	146		
	165	Ground	—		181		
	200	Ground	—		216		
TU 30	140	Ground	—	8	156		
	180	Ground	—		196		
	220	Ground	—		236		
	260	Ground	—		276		
	300	Ground	—		316		
	340	Ground	—		356		
TU 40	180	Ground	Rolled	8	158		
	240	Ground	Rolled		218		
	300	Ground	Rolled		278		
	360	Ground	Rolled		338		
	420	Ground	Rolled		398		
	140	Ground	Rolled		158		
	200	Ground	Rolled		218		
	260	Ground	Rolled		278		
	320	Ground	Rolled		338		
	380	Ground	Rolled		398		
TU 50	220	Ground	Rolled	10	198		
	300	Ground	Rolled		278		
	380	Ground	Rolled		358		
	460	Ground	Rolled		438		
	540	Ground	Rolled		518		
	620	Ground	Rolled		598		
	700	Ground	Rolled		678		
	180	Ground	Rolled		198		
	260	Ground	Rolled		278		
	340	Ground	Rolled		358		
	420	Ground	Rolled		438		
	500	Ground	Rolled		518		
	580	Ground	Rolled		598		
	660	Ground	Rolled		678		
TU 60	290	Ground	Rolled	12	263		
	390	Ground	Rolled		363		
	490	Ground	Rolled		463		
	590	Ground	Rolled		563		
	690	Ground	Rolled		663		
	790	Ground	Rolled		763		
	990	—	Rolled		963		
	1 190	—	Rolled		1 163		
	244	Ground	Rolled		263		
	344	Ground	Rolled		363		
	444	Ground	Rolled		463		
	544	Ground	Rolled		563		
	644	Ground	Rolled		663		
	744	Ground	Rolled		763		
	TU 86	490	Ground		Rolled	15	461
		590	Ground		Rolled		561
690		Ground	Rolled	661			
790		Ground	Rolled	761			
890		Ground	Rolled	861			
990		Ground	Rolled	961			
1 090		Ground	Rolled	1 061			
1 190		Ground	Rolled	1 161			
1 390		Ground	—	20	1 361		
1 590		Ground	—		1 561		
442		Ground	Rolled	15	461		
542		Ground	Rolled		561		
642		Ground	Rolled		661		
742		Ground	Rolled		761		
842		Ground	Rolled		861		
942		Ground	Rolled		961		
1 042		Ground	Rolled		1 061		
1 142		Ground	Rolled		1 161		
TU100	1 010	Ground	—	20	972		
	1 160	Ground	—		1 122		
	1 310	Ground	—		1 272		
	1 460	Ground	—		1 422		
TU130	1 010	Ground	—	25	972		
	1 160	Ground	—		1 122		
	1 310	Ground	—		1 272		
	1 460	Ground	—		1 422		
	1 610	Ground	—		1 572		

Table 14 Moment of inertia of sectional area of track rails



Model and size	Moment of inertia of sectional area mm ⁴		Center of gravity e mm
	I _x	I _y	
TU 25	3.7×10 ²	7.5×10 ³	2.6
TU 30	9.3×10 ²	1.7×10 ⁴	3.3
TU 40	1.0×10 ⁴	6.8×10 ⁴	6.6
TU 50	2.8×10 ⁴	1.7×10 ⁵	8.7
TU 60	6.4×10 ⁴	3.8×10 ⁵	10.9
TU 86	2.4×10 ⁵	1.6×10 ⁶	14.6
TU100	5.9×10 ⁵	3.3×10 ⁶	18.8
TU130	1.4×10 ⁶	8.8×10 ⁶	23.0

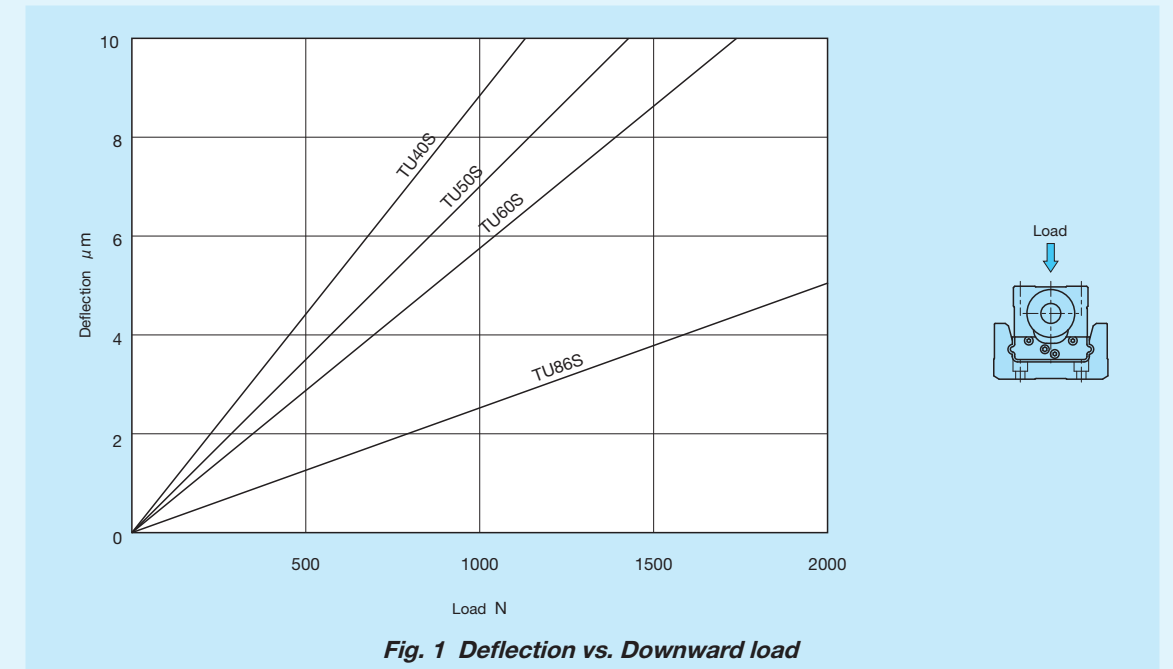


Table 15.1 Table inertia and starting torque

Model and size	Length of track rail mm	Table inertia $J_T \times 10^{-5} \text{kg} \cdot \text{m}^2$		Starting torque $T_s^{(2)}$ N·m
		Standard table		
		Lead 4mm		
TU25	130	0.018		0.01
	165	0.021		
	200	0.024		

Model and size	Length of track rail mm	Table inertia $J_T^{(3)} \times 10^{-5} \text{kg} \cdot \text{m}^2$		Starting torque $T_s^{(2)}$ N·m
		Standard table		
		Lead 5mm		
TU30	140	0.057		0.015
	180	0.069		
	220	0.082		
	260	0.095		
	300	0.107		
	340	0.120		

Model and size	Length of track rail ⁽¹⁾ mm	Table inertia $J_T^{(3)} \times 10^{-5} \text{kg} \cdot \text{m}^2$						Starting torque $T_s^{(2)}$ N·m			
		Short table		Standard table		Long table		Rolled screw		Ground screw	
		Lead 4mm	Lead 8mm	Lead 4mm	Lead 8mm	Lead 4mm	Lead 8mm	Lead 4mm	Lead 8mm	Lead 4mm	Lead 8mm
TU40	180(140)	0.05	0.07	0.06	0.09	—	—	0.03	0.04	0.03 (0.04)	0.04 (0.05)
	240(200)	0.07	0.09	0.08	0.11	0.08	0.12				
	300(260)	0.09	0.11	0.10	0.12	0.10	0.14				
	360(320)	0.11	0.13	0.12	0.14	0.12	0.16				
	420(380)	0.13	0.15	0.13	0.16	0.14	0.18				

Model and size	Length of track rail ⁽¹⁾ mm	Table inertia $J_T^{(3)} \times 10^{-5} \text{kg} \cdot \text{m}^2$						Starting torque $T_s^{(2)}$ N·m			
		Short table		Standard table		Long table		Rolled screw		Ground screw	
		Lead 5mm	Lead 10mm	Lead 5mm	Lead 10mm	Lead 5mm	Lead 10mm	Lead 5mm	Lead 10mm	Lead 5mm	Lead 10mm
TU50	220(180)	0.17	0.21	0.18	0.27	—	—	0.04	0.05	0.04 (0.05)	0.05 (0.06)
	300(260)	0.23	0.28	0.24	0.33	0.26	0.40				
	380(340)	0.29	0.34	0.30	0.39	0.32	0.46				
	460(420)	0.35	0.40	0.36	0.45	0.38	0.53				
	540(500)	0.41	0.46	0.43	0.51	0.44	0.59				
	620(580)	0.47	0.52	0.49	0.57	0.51	0.65				
700(660)	0.54	0.58	0.55	0.63	0.57	0.71					

Model and size	Length of track rail ⁽¹⁾ mm	Table inertia $J_T^{(3)} \times 10^{-5} \text{kg} \cdot \text{m}^2$									Starting torque $T_s^{(2)}$ N·m			
		Short table			Standard table			Long table			Rolled screw		Ground screw	
		Lead 5mm	Lead 10mm	Lead 20mm	Lead 5mm	Lead 10mm	Lead 20mm	Lead 5mm	Lead 10mm	Lead 20mm	Lead 5mm	Lead 10mm	Lead 5mm	Lead 20mm
TU60	290(244)	0.45	0.53	1.03	0.47	0.61	1.43	0.49	0.71	1.94	0.08	0.08 (0.09)	0.10 (0.12)	
	390(344)	0.60	0.69	1.19	0.62	0.77	1.59	0.65	0.87	2.10				
	490(444)	0.76	0.85	1.34	0.78	0.93	1.75	0.81	1.0	2.26				
	590(544)	0.92	1.0	1.50	0.94	1.1	1.90	0.97	1.2	2.41				
	690(644)	1.1	1.2	1.66	1.1	1.2	2.06	1.1	1.3	2.57				
	790(744)	1.2	1.3	1.82	1.3	1.4	2.22	1.3	1.5	2.73				
	990	1.6	1.7	—	1.6	1.7	—	1.6	1.8	—				
	1 190	1.9	2.0	—	1.9	2.1	—	1.9	2.2	—				

Notes (1) The value in () represents track rail length of motor folding back specification.
 (2) When two units of slide table are used, it is about 1.5 times as long as that of one unit, and when table of motor folding back specification is used, it is about twice. The value in () represents starting torque of C-Lube specification.
 (3) For motor folding back specification, please add the following value to the value in the table.
 TU40 and TU50: $0.17 \times 10^{-5} \text{kg} \cdot \text{m}^2$, TU60: $0.86 \times 10^{-5} \text{kg} \cdot \text{m}^2$

Table 15.2 Table inertia and starting torque

Model and size	Length of track rail ⁽¹⁾ mm	Table inertia $J_T^{(3)} \times 10^{-5} \text{kg} \cdot \text{m}^2$						Starting torque $T_s^{(2)}$ N·m			
		Short table		Standard table		Long table		Rolled screw		Ground screw	
		Lead 10mm	Lead 20mm	Lead 10mm	Lead 20mm	Lead 10mm	Lead 20mm	Lead 10mm	Lead 20mm	Lead 10mm	Lead 20mm
TU 86	490(442)	2.1	2.9	2.3	3.9	2.4	4.4	0.10	0.16	0.10 (0.12)	0.16 (0.18)
	590(542)	2.4	3.2	2.7	4.3	2.8	4.8				
	690(642)	2.8	3.6	3.1	4.6	3.2	5.1				
	790(742)	3.2	4.0	3.5	5.0	3.6	5.5				
	890(842)	3.6	4.4	3.9	5.4	4.0	5.9				
	990(942)	4.0	4.8	4.2	5.8	4.4	6.3				
	1 090(1 042)	4.4	5.2	4.6	6.2	4.8	6.7				
	1 190(1 142)	4.8	5.6	5.0	6.6	5.1	7.1				
	1 390	—	18	—	19	—	19				
1 590	—	20	—	21	—	22					

Model and size	Length of track rail mm	Table inertia $J_T \times 10^{-5} \text{kg} \cdot \text{m}^2$		Starting torque $T_s^{(2)}$ N·m
		Standard table		
		Lead 20mm		
TU100	1 010	15		0.20 (0.26)
	1 160	17		
	1 310	19		
	1 460	20		

Model and size	Length of track rail mm	Table inertia $J_T \times 10^{-5} \text{kg} \cdot \text{m}^2$		Starting torque $T_s^{(2)}$ N·m
		Standard table		
		Lead 25mm		
TU130	1 010	39		0.40 (0.50)
	1 160	43		
	1 310	48		
	1 460	52		
	1 610	57		

Notes (1) The value in () represents track rail length of motor folding back specification.
 (2) When two units of slide table are used, it is about 1.5 times as long as that of one unit, and when table of motor folding back specification is used, it is about twice. The value in () represents starting torque of C-Lube specification.
 (3) For motor folding back specification, please add the following value to the value in the table.
 TU86: $0.86 \times 10^{-5} \text{kg} \cdot \text{m}^2$

Mounting

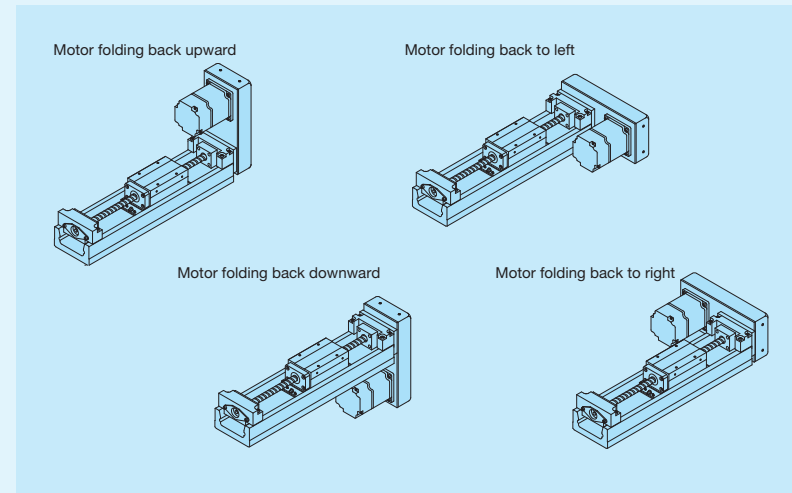
For the processing accuracy of the Precision Positioning Table mounting surface and the tightening torque of the fixing screws, see page III-30.

Motor Folding Back Specification

Motor folding back specification is available for Precision Positioning Table TU, space can be saved by folding back the motor and reducing the overall length of the table. For dimensions of motor folding back specification, please refer to respective dimension table.

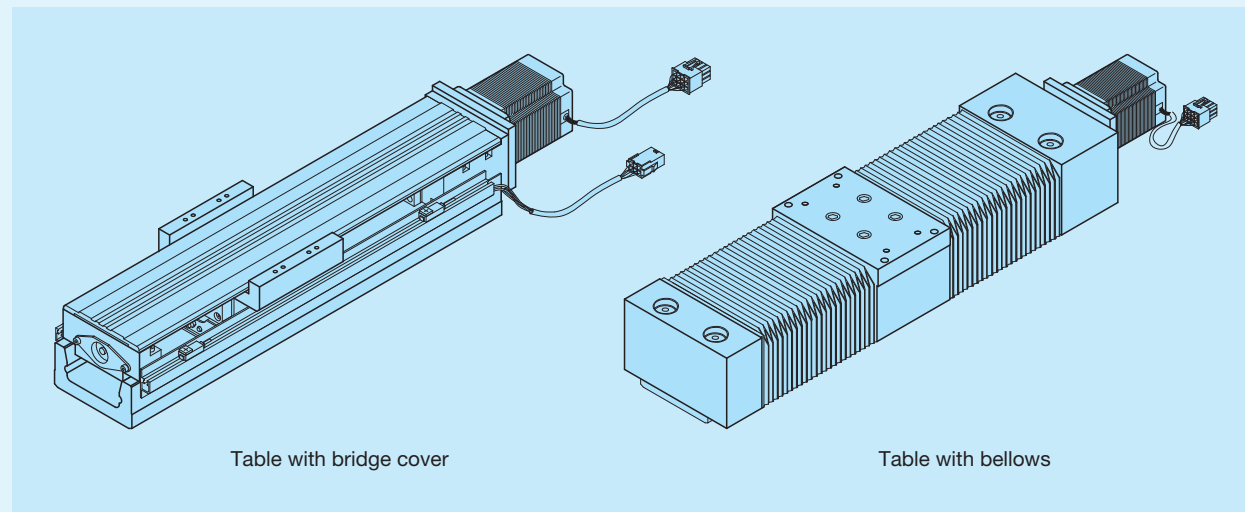
For motor folding back specification, assembly should be made by customer since "housing applicable to the specified motor, pulley (on motor side and ball screw side), cover, motor bracket, belt and bolts necessary for assembly" are supplied. However, motor mounting bolts should be prepared by customer.

Motor folding back unit can be mounted in 4 directions as indicated in the following figure.



Cover Specification

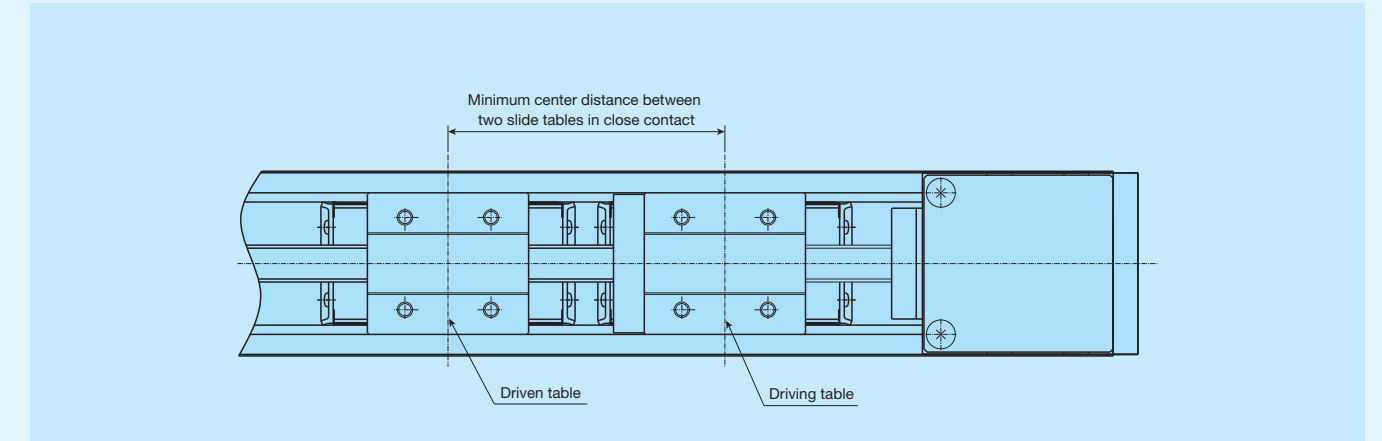
A bridge cover and bellows are available for Precision Positioning Table TU as a measure for protection against dust. For the dimensions of table with bellows, please see dimension tables shown in pages of II-89 to II-90.



Two Slide Table Specification

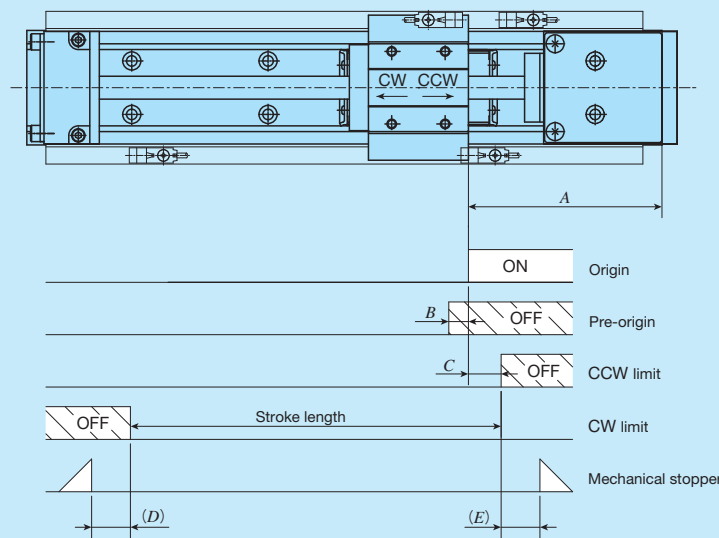
Two slide table specification is available for Precision Positioning Table TU. Ball screw nuts are mounted on slide table at the motor side, and it can be driven by the motor (driving table). Ball screw nuts are not mounted on slide table at the opposite motor side, and it is free condition (driven table).

It is possible to make the structure resistant to moment load by using two slide tables in combination (Table 12). When combining slide tables, allow more clearance than "minimum center distance between two slide tables in close contact" described in the dimension table shown in pages II-69 to II-100 (Enlarging the span will shorten the stroke.).



Sensor Specification

Table 16.1 Sensor timing chart (motor inline specification)



unit: mm

Model and size	Length of slide table	Ball screw lead	A	B	C	D ⁽¹⁾	E
TU 25	Standard	4	50	2	10	8.4(6)	8
TU 30	Standard	5	50	3	10	10.9(6.4)	8
TU 40	Short	4	85	2	10	7.5(5.5)	4.5
		8		6			
	Standard	4	2	10.5(8.5)		8	
TU 40	Long	4	85	2	10	4.5(7.5)	8
		8		6			
	Standard	4	2	10.5(8.5)		8	
TU 50	Short	5	85	3	10	7.2(6.2)	3.8
		10		7			
	Standard	5	3	8.2(7.2)		8	
TU 50	Long	5	85	3	10	4.2(3.2)	8
		10		7			
	Standard	5	3	8.2(7.2)		8	
TU 60	Short	5	110	3	20	14.6(19.6)	10.4
		10		7			
	Standard	5	3	9.6(14.6)		8	
TU 60	Long	5	100	3	20	9.6(9.6)	8
		10		7			
	Standard	5	3	9.6(9.6)		8	
TU 86	Short	10	105 ⁽³⁾	7	20	13 (14)	11
		20		14			
	Standard	10	7	12 (14) ⁽⁴⁾		4	
TU 86	Long	10	105	7	20	13 (14)	11
		20		14			
	Standard	10	7	12 (14)		11	
TU100	Standard	20	150	14	20	22 (19)	20
TU130	Standard	25	160	18	20	18 (23)	20

Notes ⁽¹⁾ The value in () indicates the dimension for two slide tables.

⁽²⁾ After pre-origin signal is turned off, CCW limit is turned on before turned off.

⁽³⁾ In case of track rail lengths of 1,390mm and 1,590mm, this length is 110mm.

⁽⁴⁾ In case of track rail lengths of 1,390mm and 1,590mm, this length is 7 (9)mm.

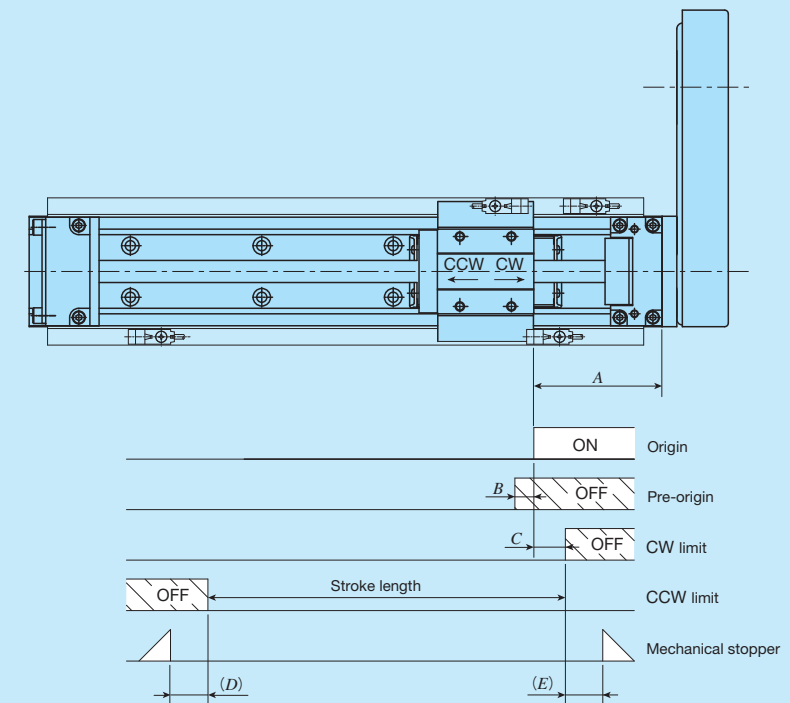
Remarks 1. Mounting a sensor is specified using the corresponding identification number.

2. For the specifications of respective sensors, please see the section of sensor specification in General Explanation.

3. For tables with bellows, the values in the table are not applied.

4. For tables with C-Lube plate, please see Table 16.3.

Table 16.2 Sensor timing chart (motor folding back specification)



unit: mm

* In a table of motor folding back specification, the movements of CW direction and CCW direction in a slide table become reversed.

Size	Length of slide table	Ball screw lead	A	B	C	D ⁽¹⁾	E
TU 40	Short	4	45	2	10	7.5(5.5)	4.5
		8		6			
	Standard	4	2	10.5(8.5)		8	
TU 40	Long	4	45	2	10	4.5(7.5)	8
		8		6			
	Standard	4	2	10.5(8.5)		8	
TU 50	Short	5	45	3	10	7.2(6.2)	3.8
		10		7			
	Standard	5	3	8.2(7.2)		8	
TU 50	Long	5	45	3	10	4.2(3.2)	8
		10		7			
	Standard	5	3	8.2(7.2)		8	
TU 60	Short	5	64	3	20	14.6(19.6)	10.4
		10		7			
	Standard	5	3	9.6(14.6)		8	
TU 60	Long	5	59	3	20	9.6(9.6)	8
		10		7			
	Standard	5	3	9.6(9.6)		8	
TU 86	Short	10	62	7	20	13 (14)	11
		20		14			
	Standard	10	7	12 (14)		4	
TU 86	Long	10	62	7	20	13 (14)	11
		20		14			
	Standard	10	7	12 (14)		11	
TU 86	Long	10	62	7	20	13 (14)	11
		20		14			
	Standard	10	7	12 (14)		11	

Notes ⁽¹⁾ The value in () indicates the dimension for two slide tables.

⁽²⁾ After pre-origin signal is turned off, CCW limit is turned on before turned off.

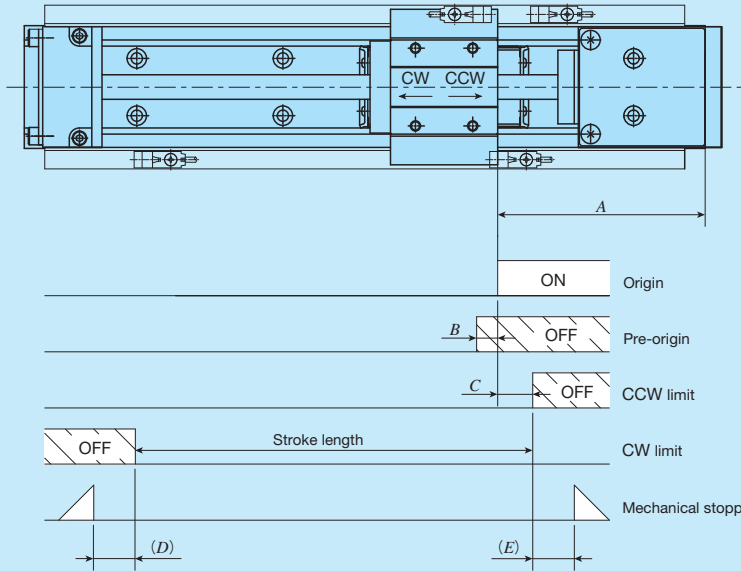
Remarks 1. Mounting a sensor is specified using the corresponding identification number.

2. For the specifications of respective sensors, please see the section of sensor specification in General Explanation.

3. For tables with bellows, the values in the table are not applied.

4. For tables with C-Lube plate, please see Table 16.4.

Table 16.3 Sensor timing chart (motor inline specification, with C-Lube)



unit: mm

Model and size	Length of slide table	Ball screw lead	A	B	C	D ⁽¹⁾	E	
TU 40	Short	4	100	2	10	7.5(5.5)	9	
		8		6				
	Standard	4	2	5.5(8.5)				
TU 50	Short	5	100	3		10	7.2(6.2)	8
		10		7				
	Standard	5	3	8.2(7.2)				
TU 60	Short	5	120	3	20		9.6(9.6)	5.4
		10		7				
	Standard	5	3	4.6(9.6)				
TU 86	Short	10	130	7		20	8 (14)	19
		20		14				
	Standard	10	7	13 (9)				
TU 100	Short	10	105	14	20		12 (9)	11
		20		7				
	Standard	10	7	8 (9)				
TU 130	Short	10	105	7		20	7 (9)	11
		20		14				
	Standard	10	7	17 (14)				
TU 100	Standard	10	150	14	20		17 (14)	20
		20		14				
TU 130	Standard	10	160	18	20		18 (18)	20
		20		18				

Notes ⁽¹⁾ The value in () indicates the dimension for two slide tables.

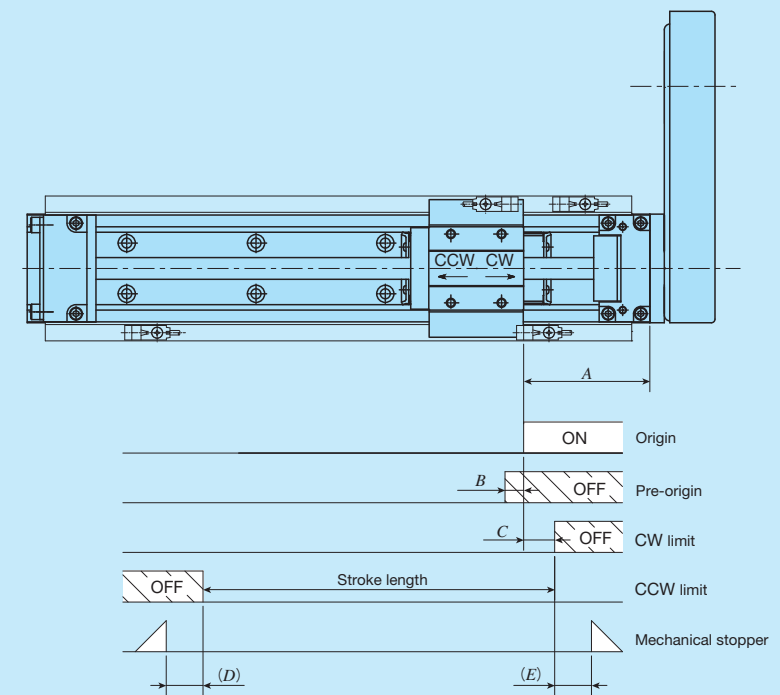
⁽²⁾ After pre-origin signal is turned off, CCW limit is turned on before turned off.

Remarks 1. Mounting a sensor is specified using the corresponding identification number.

2. For the specifications of respective sensors, please see the section of sensor specification in General Explanation.

3. For tables with bellows, the values in the table are not applied.

Table 16.4 Sensor timing chart (motor folding back specification, with C-Lube)



unit: mm

* In a table of motor folding back specification, the movements of CW direction and CCW direction in a slide table becomes reversed.

Model and size	Length of slide table	Ball screw lead	A	B	C	D ⁽¹⁾	E	
TU 40	Short	4	60	2	10	7.5(5.5)	9	
		8		6				
	Standard	4	2	5.5(8.5)				
TU 50	Short	4	60	2		10	9.5(7.5)	9
		8		6				
	Standard	4	2	8.2(7.2)				
TU 60	Short	5	60	3	20		7.2(6.2)	8
		10		7				
	Standard	5	3	8.2(7.2)				
TU 86	Short	5	60	3		20	9.2(8.2)	8
		10		7				
	Standard	5	3	4.6(9.6)				
TU 100	Short	5	75	3	20		8.6(8.6)	6.4
		10		7				
	Standard	5	3	9.6(9.6)				
TU 130	Short	5	94	3		20	8.6(3.6)	9
		10		7				
	Standard	5	3	9.6(4.6)				
TU 40	Short	5	60	3	20		8 (3)	9
		10		7				
	Standard	5	3	4 (4)				
TU 50	Short	5	60	3		20	10 (6)	22
		10		7				
	Standard	5	3	9 (6)				
TU 60	Short	5	59	3	20		10 (6)	12
		10		7				
	Standard	5	3	10 (6)				
TU 86	Short	5	90	3		20	5 (6)	9
		10		7				
	Standard	5	3	9 (6)				
TU 100	Short	5	60	3	20		5 (6)	9
		10		7				
	Standard	5	3	4 (6)				
TU 130	Short	5	60	3		20	4 (6)	9
		10		7				
	Standard	5	3	4 (6)				

Notes ⁽¹⁾ The dimension in () represents dimensions for two slide tables.

⁽²⁾ After pre-origin signal is turned off, CCW limit is turned on before turned off.

Remarks 1. Mounting a sensor is specified using the corresponding identification number.

2. For the specifications of respective sensors, please see the section of sensor specification in General Explanation.

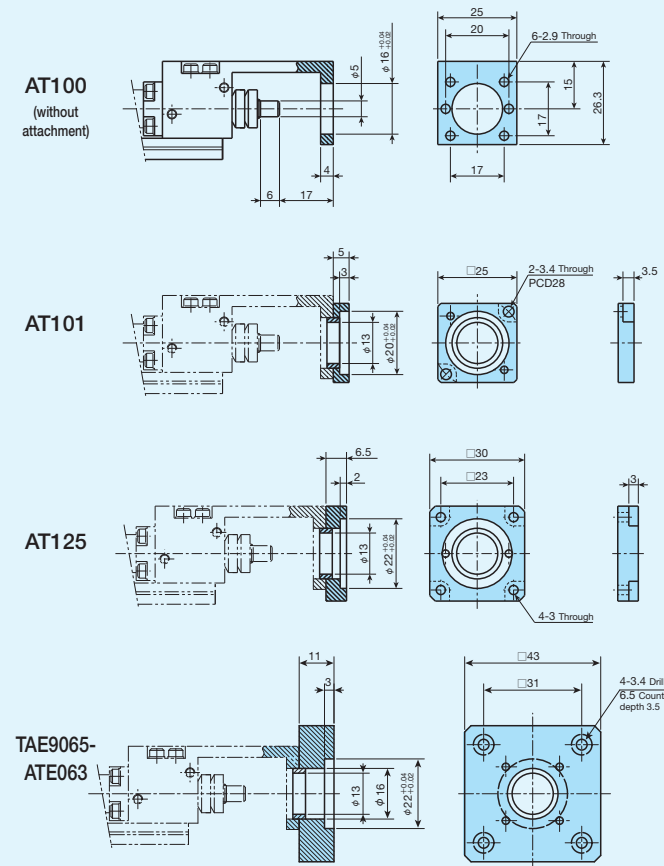
3. For tables with bellows, the values in the table are not applied.

Dimensions of Motor Attachment

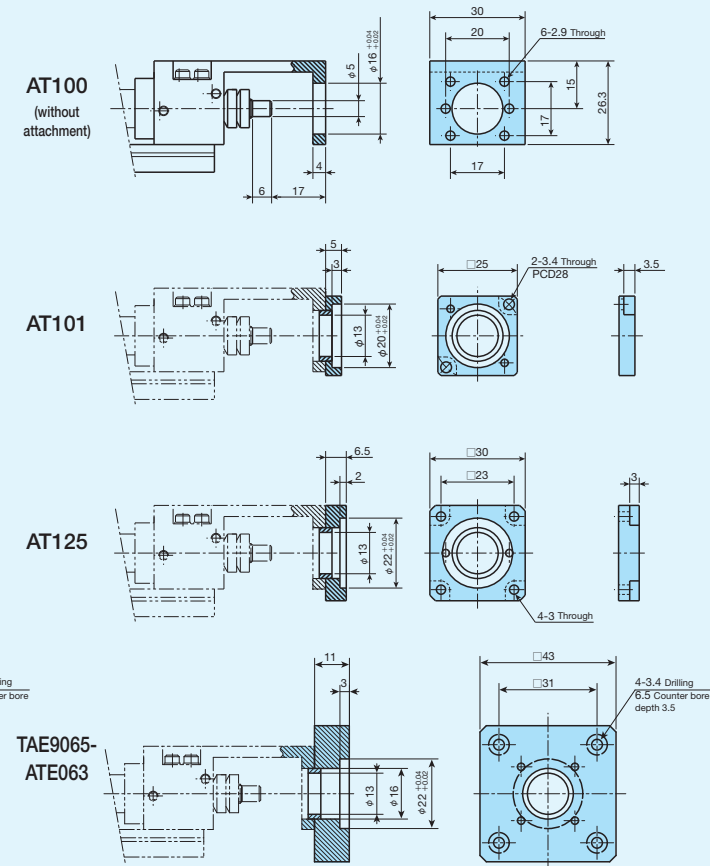
Motor inline specification

Remark: Motor attachment for NEMA, please see the pages III-32 or later.

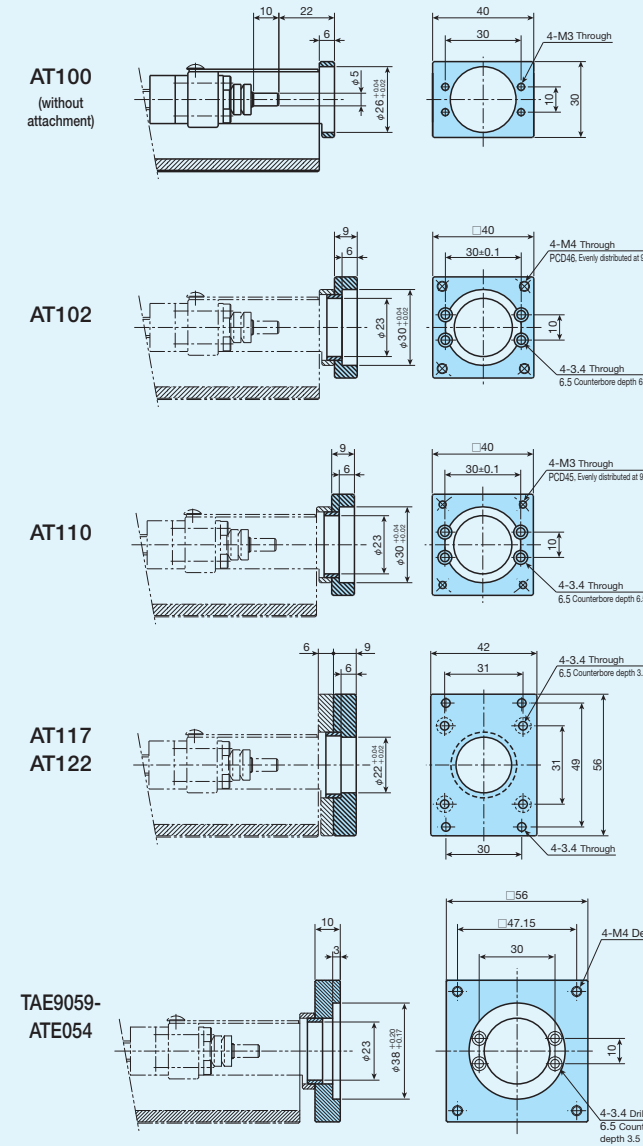
TU25



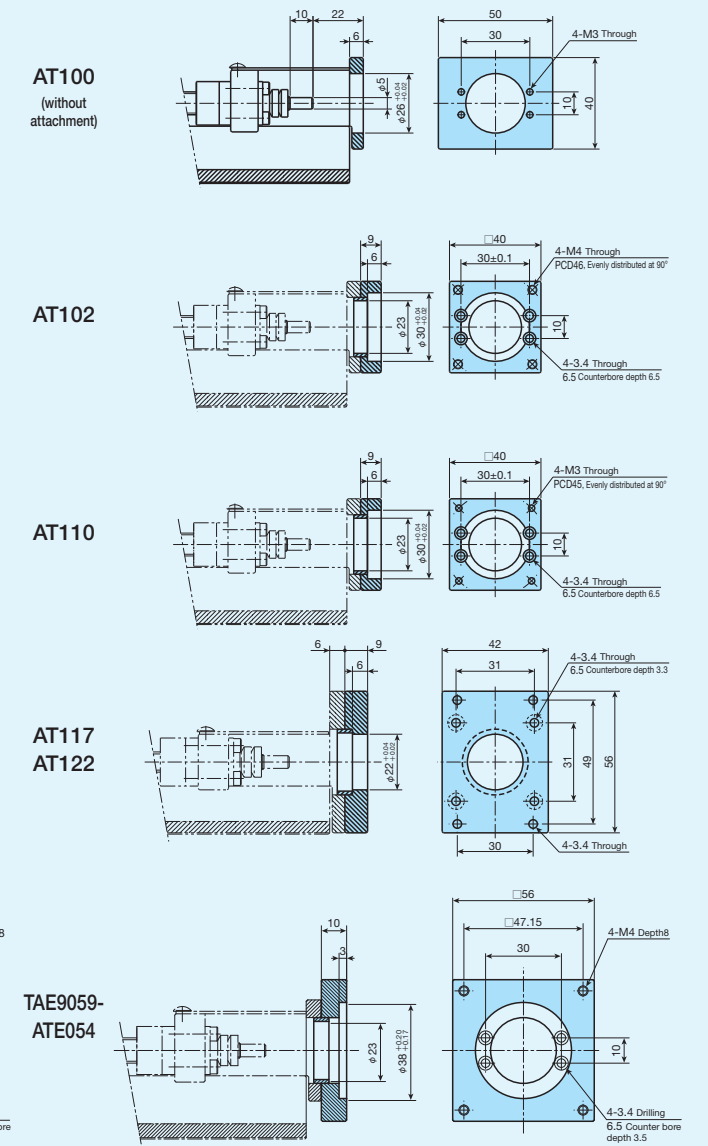
TU30



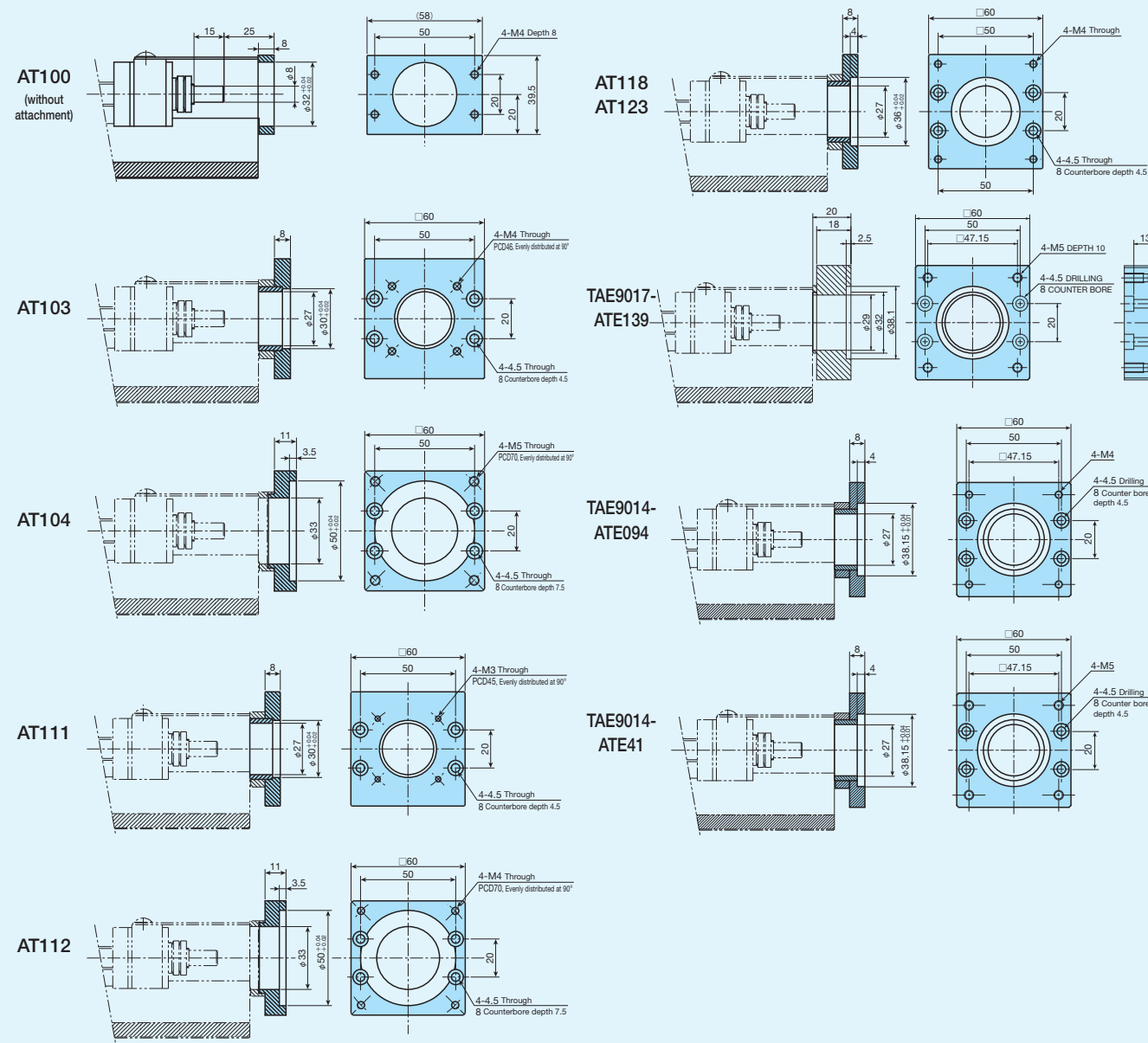
TU40



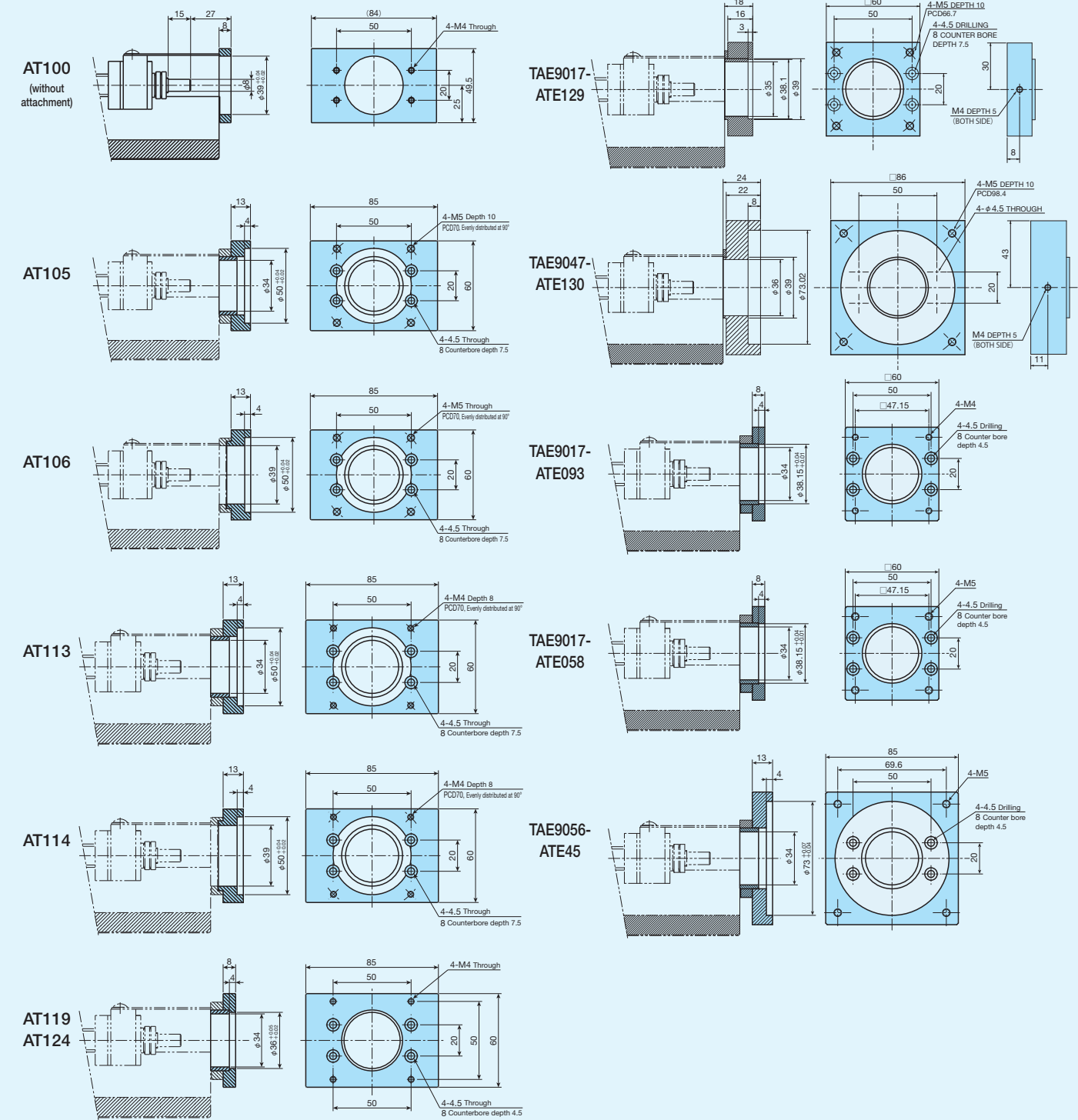
TU50



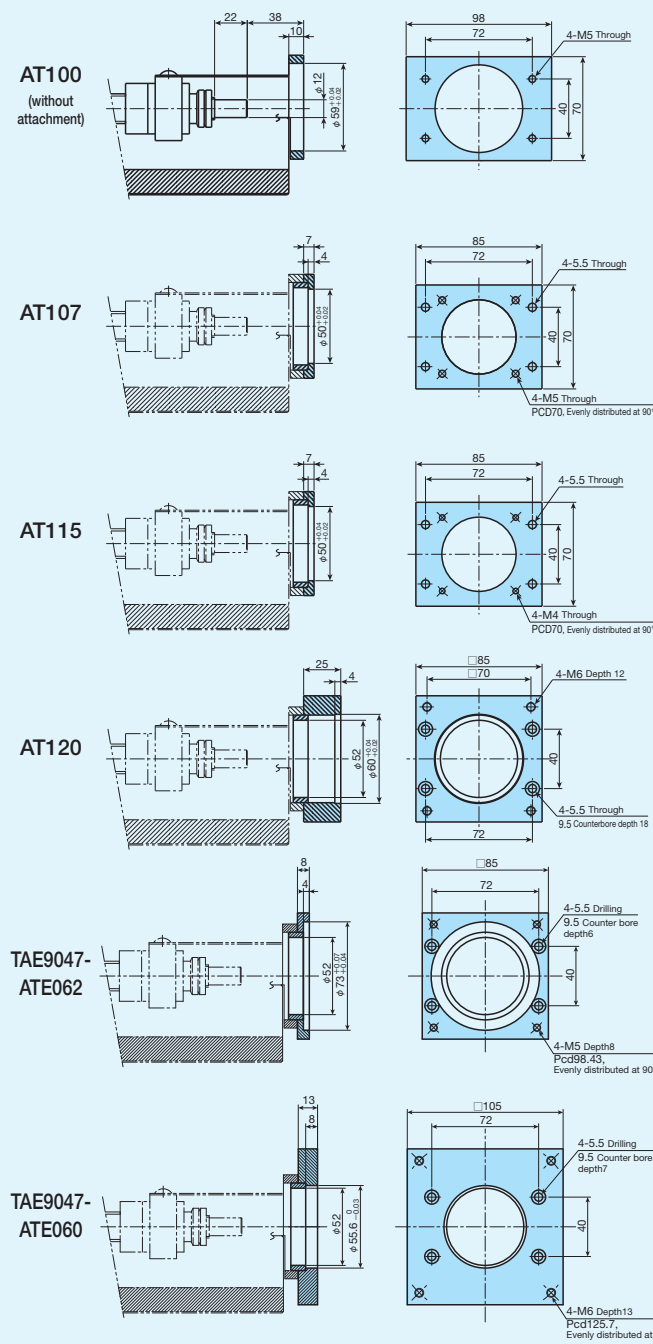
TU60



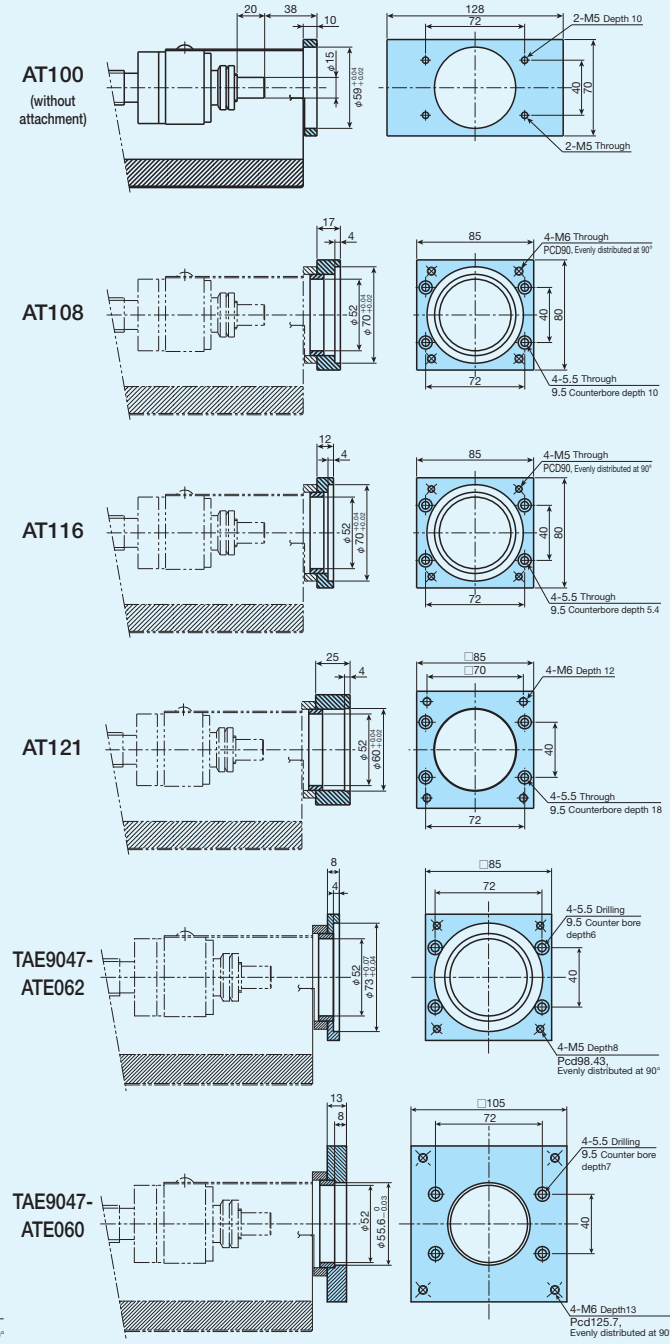
TU86



TU100

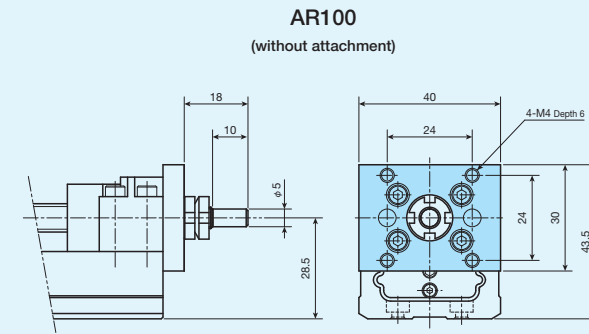


TU130

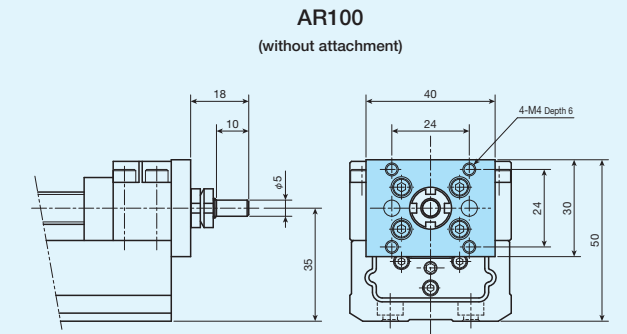


Motor folding back specification

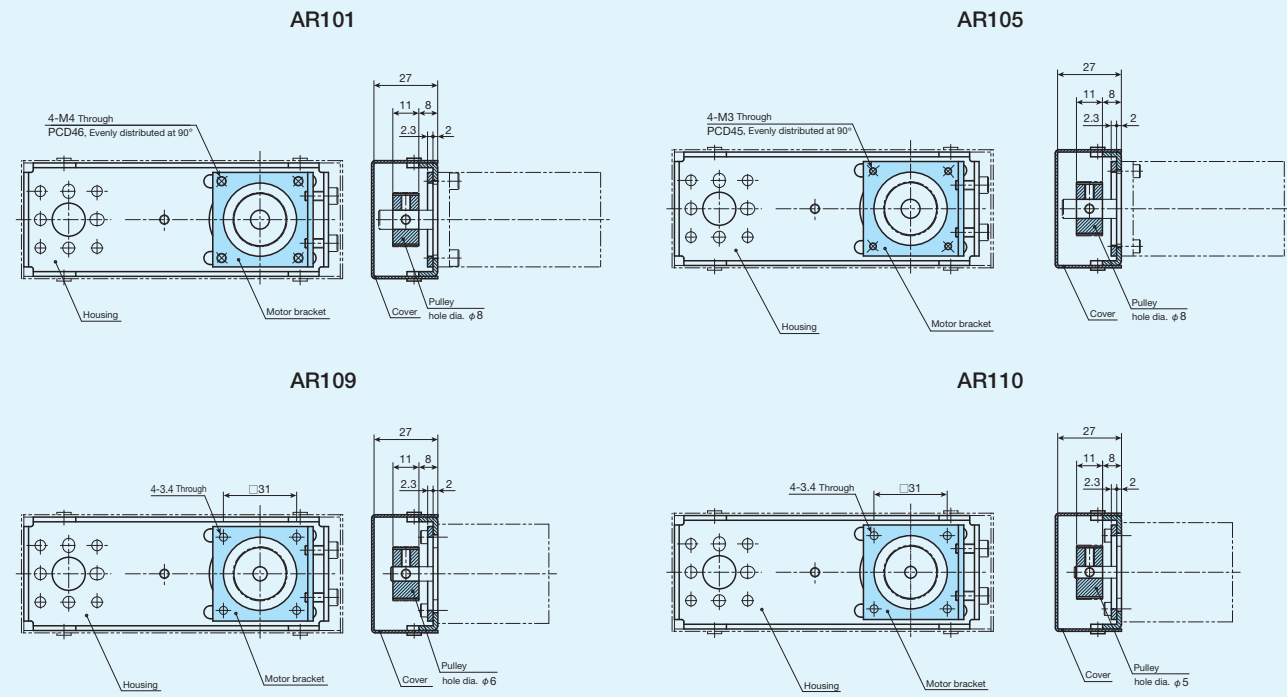
TU40



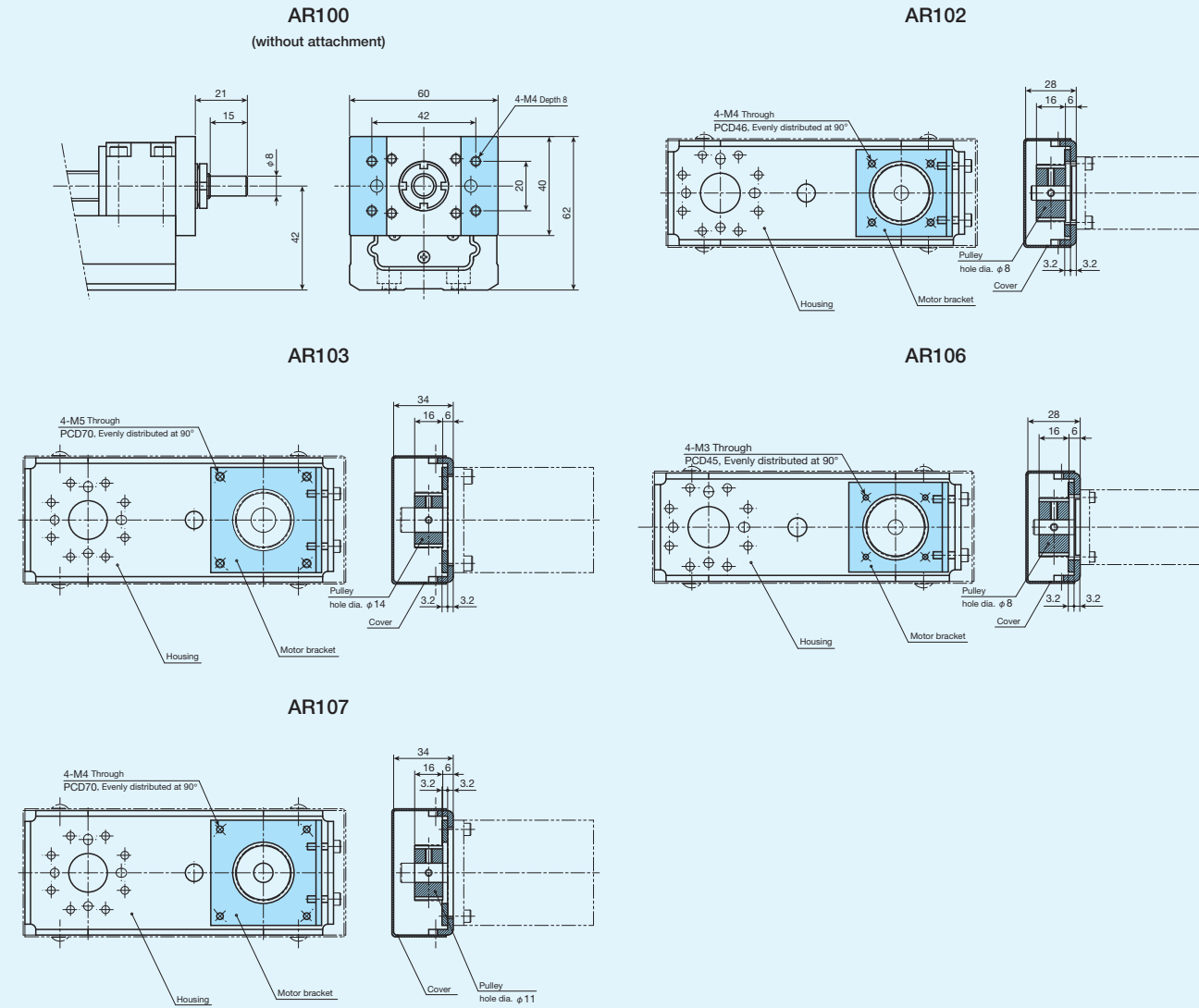
TU50



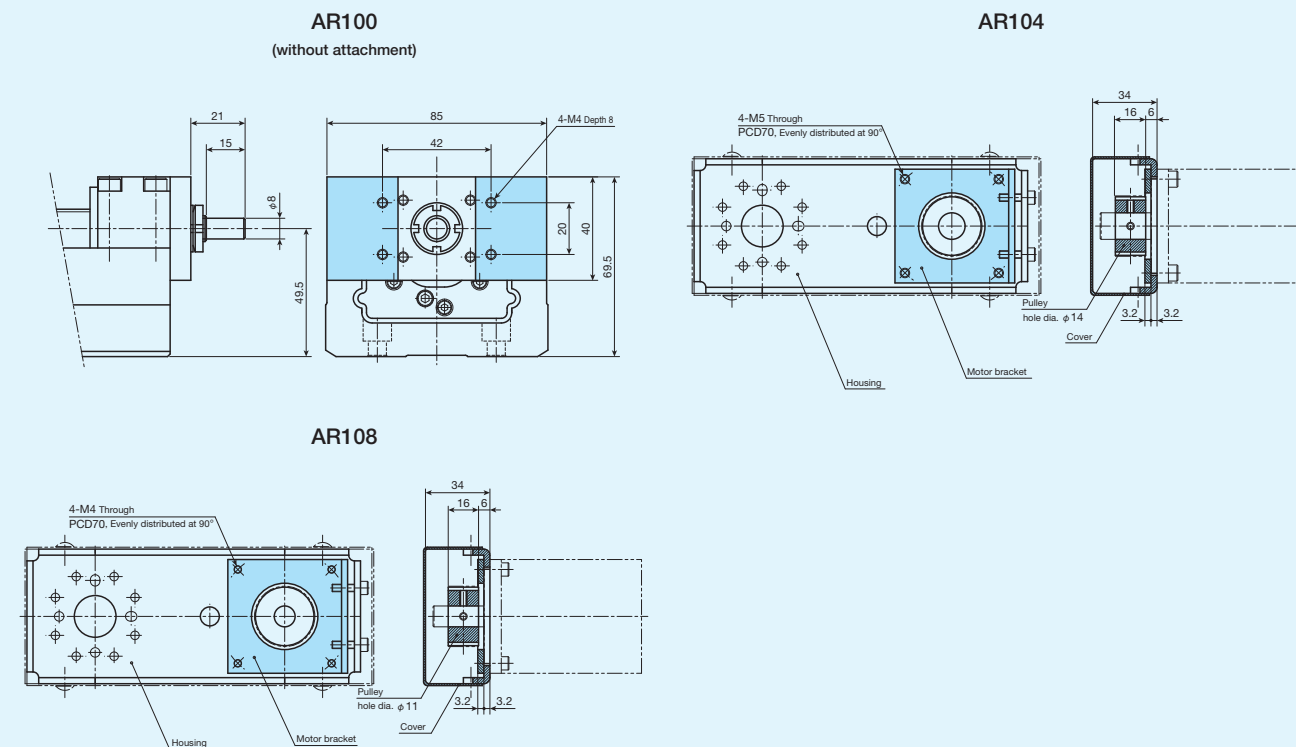
TU40, TU50



TU60



TU86



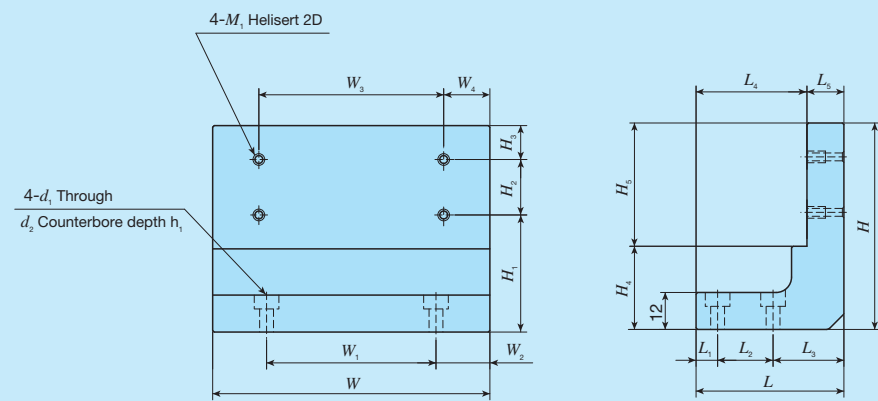
Example of Combination

In Precision Positioning Table TU, using XY bracket enables you to configure various two-axis combination. Light aluminum alloy-made XY bracket can be mounted to a flange type standard table. Table 17 shows various XY bracket models. If you are interested, please specify the model number of your desired model from the table.

Table 17 Configuration of two-axis combination and XY bracket models

Combination by use of XY bracket			Combination possible without the bracket		
X-axis	Y-axis	Model number of XY bracket	X-axis	Y-axis	Model number of XY bracket
—	—	—	TU 25F	TU 25	Not required
—	—	—	TU 30F	TU 30	Not required
TU 40F	TU 40	TAE0412-BR	—	—	—
TU 50F	TU 40	TAE0413-BR	—	—	—
TU 50F	TU 50	TAE0414-BR	—	—	—
TU 60F	TU 50	TAE0415-BR	—	—	—
TU 60F	TU 60	TAE0409-BR	—	—	—
TU 86F	TU 60	TAE0410-BR	TU 86F	TU 60	Not required
TU 86F	TU 86	TAE0411-BR	TU 86F	TU 86	Not required
—	—	—	TU130F	TU100	Not required

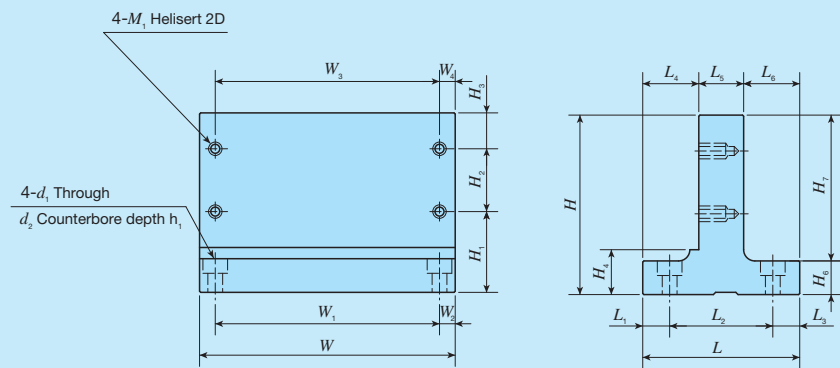
Table 18.1 Dimensions of XY bracket



unit: mm

Model number	W	W ₁	W ₂	W ₃	W ₄	H	H ₁	H ₂	H ₃	H ₄	H ₅	L	L ₁	L ₂	L ₃	L ₄	L ₅	M ₁	d ₁	d ₂	h ₁
TAE0412-BR	90	55	17.5	60	15	67	38	18	11	27	40	48	7	18	23	36	12	M3	4.5	8	4.5
TAE0413-BR	90	65	12.5	60	15	67	38	18	11	27	40	51	9	25	17	39	12	M3	4.5	8	4.5
TAE0414-BR	90	65	12.5	80	5	77	39.5	25	12.5	27	50	57	9	25	23	45	12	M4	4.5	8	4.5

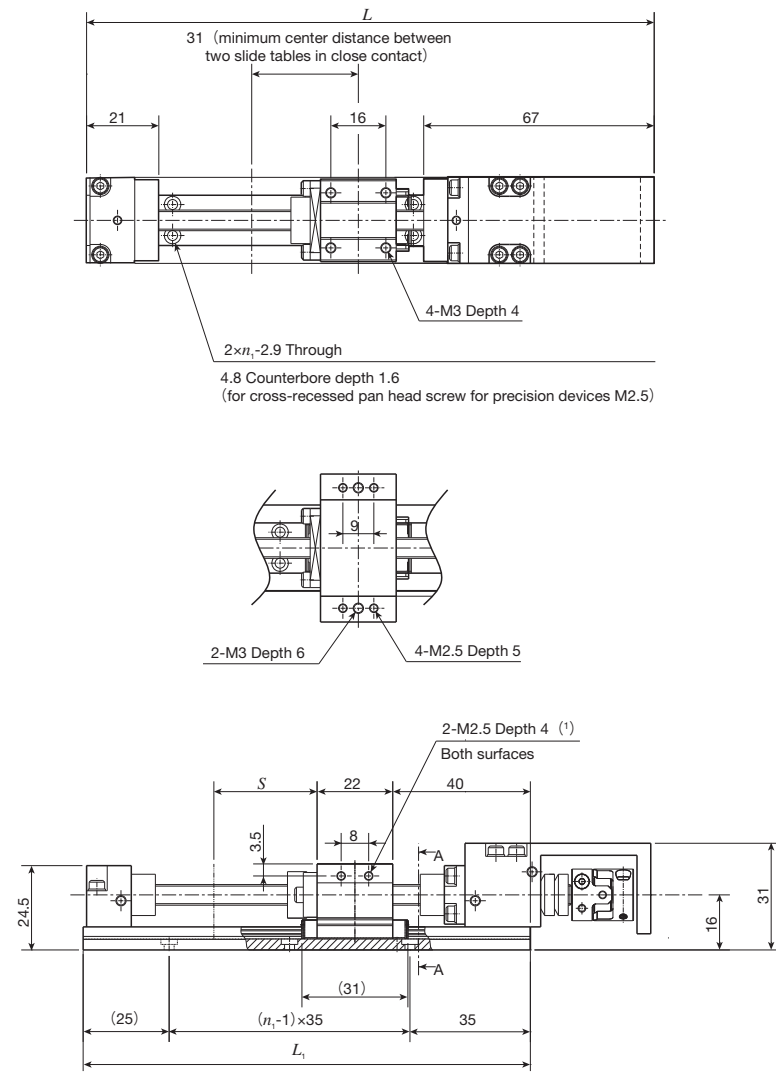
Table 18.2 Dimensions of XY bracket



unit: mm

Model number	W	W ₁	W ₂	W ₃	W ₄	H	H ₁	H ₂	H ₃	H ₄	H ₅	H ₆	H ₇	L	L ₁	L ₂	L ₃	L ₄	L ₅	L ₆	M ₁	d ₁	d ₂	h ₁
TAE0415-BR	114	74	20	80	17	70	32.5	25	12.5	20	15	55	52.4	12.2	28	12.2	19.2	15	18.2	M4	5.5	9.5	5.5	
TAE0409-BR	114	74	20	100	7	80	36	28	16	20	15	65	52.4	12.2	28	12.2	19.2	15	18.2	M5	5.5	9.5	5.5	
TAE0410-BR	114	100	7	100	7	80	36	28	16	20	15	65	70	12	46	12	25	20	25	M5	6.6	11	6.5	
TAE0411-BR	114	100	7	100	7	106	40	46	20	20	15	91	73	13.5	46	13.5	26.5	20	26.5	M6	6.6	11	6.5	

TU25



Note (1) No thread hole is prepared for TU25F.

Dimensions

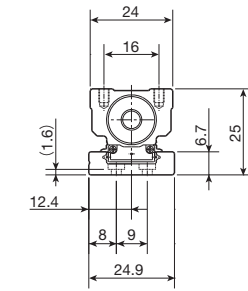
unit: mm						
Model and size	Length of track rail L_1	Overall length L	Stroke length S (1)	n_1	Mass of slide table kg	Mass (2) kg
TU25S	130	165	30(-)	3	0.05	0.31
	165	200	65(45)	4		0.34
	200	235	100(80)	5		0.38
TU25F	130	165	30(-)	3	0.07	0.33
	165	200	65(45)	4		0.36
	200	235	100(80)	5		0.40

Notes (1) The value indicates the allowable stroke length when limit sensors are mounted. The value in () represents dimension for two slide tables in close contact.

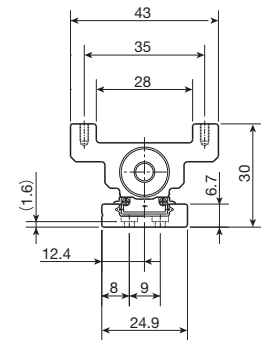
(2) The value shows the mass of the entire table with one slide table.

Remark: The material of track rail and casing is stainless steel.

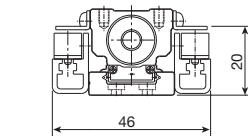
A-A Sectional dimension



TU25S

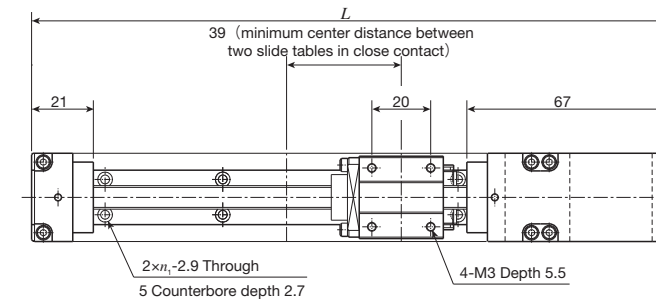


TU25F

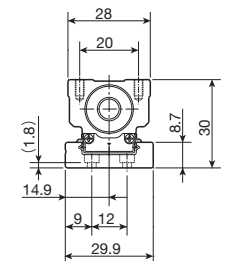


With sensor

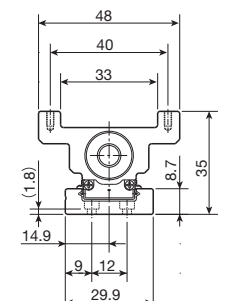
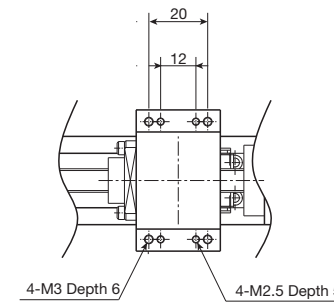
TU30



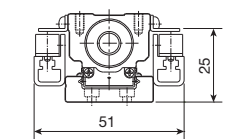
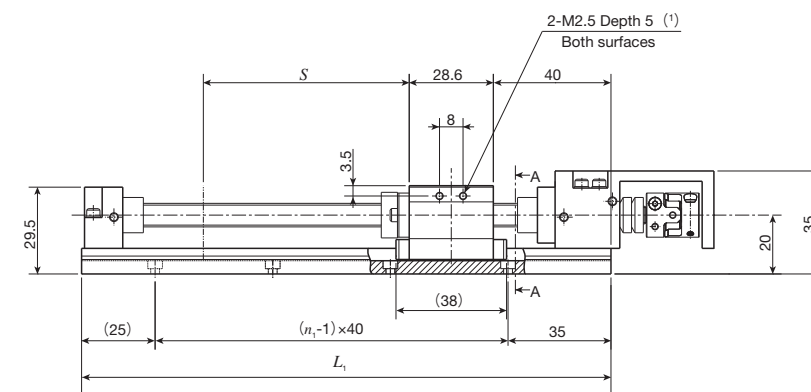
A-A Sectional dimension



TU30S



TU30F



With sensor

Note (1) No thread hole is prepared for TU30F.

Dimensions

unit: mm						
Model and size	Length of track rail L_1	Overall length L	Stroke length S (1)	n_1	Mass of slide table kg	Mass (2) kg
TU30S	140	175	30(-)	3	0.09	0.49
	180	215	70(45)	4		0.56
	220	255	110(85)	5		0.63
	260	295	150(125)	6		0.70
	300	335	190(165)	7		0.77
	340	375	230(205)	8		0.84
TU30F	140	175	30(-)	3	0.12	0.52
	180	215	70(45)	4		0.59
	220	255	110(85)	5		0.66
	260	295	150(125)	6		0.73
	300	335	190(165)	7		0.80
	340	375	230(205)	8		0.87

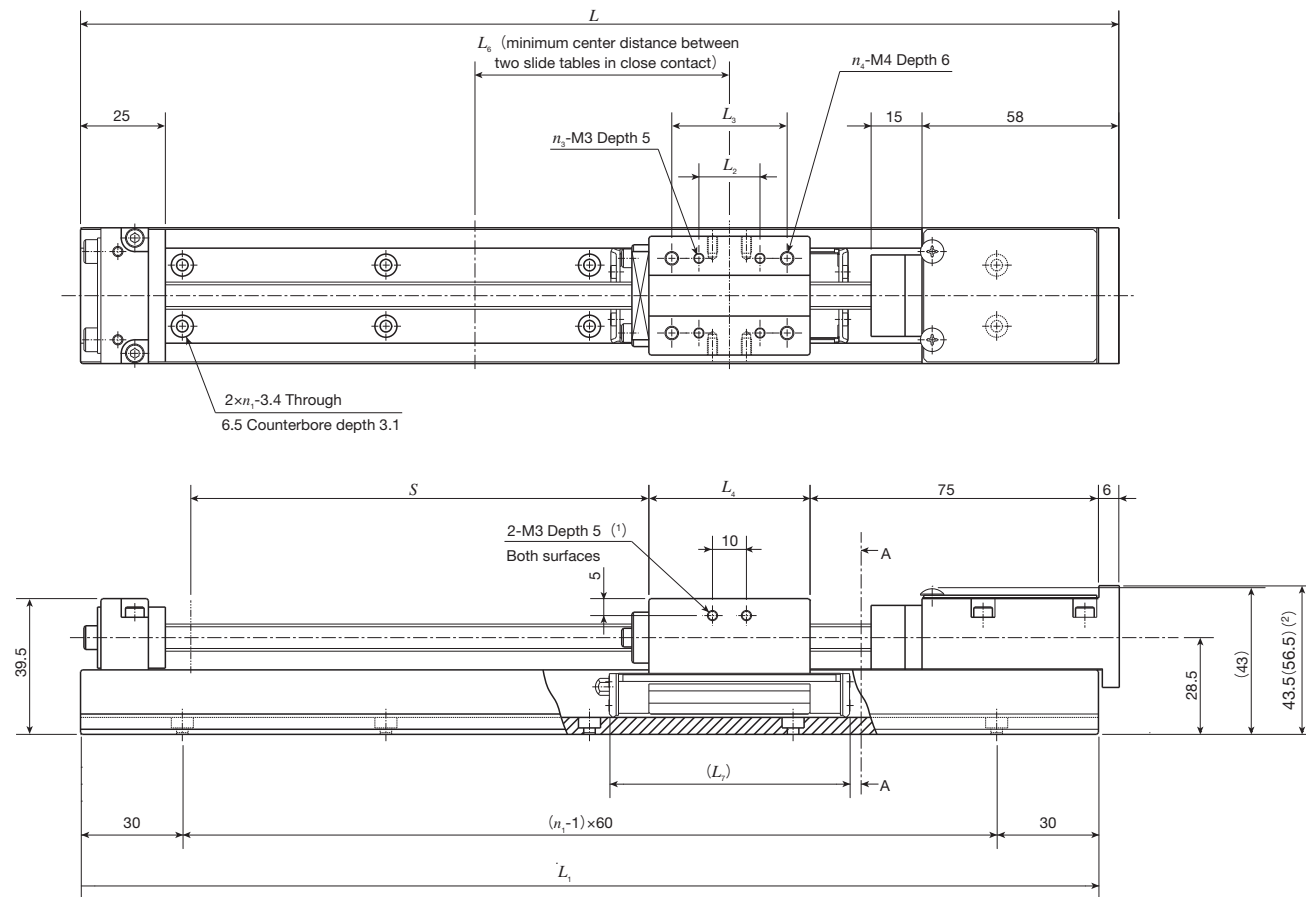
Notes (1) The value indicates the allowable stroke length when limit sensors are mounted. The value in () represents dimension for two slide tables in close contact.

(2) The value shows the mass of the entire table with one slide table.

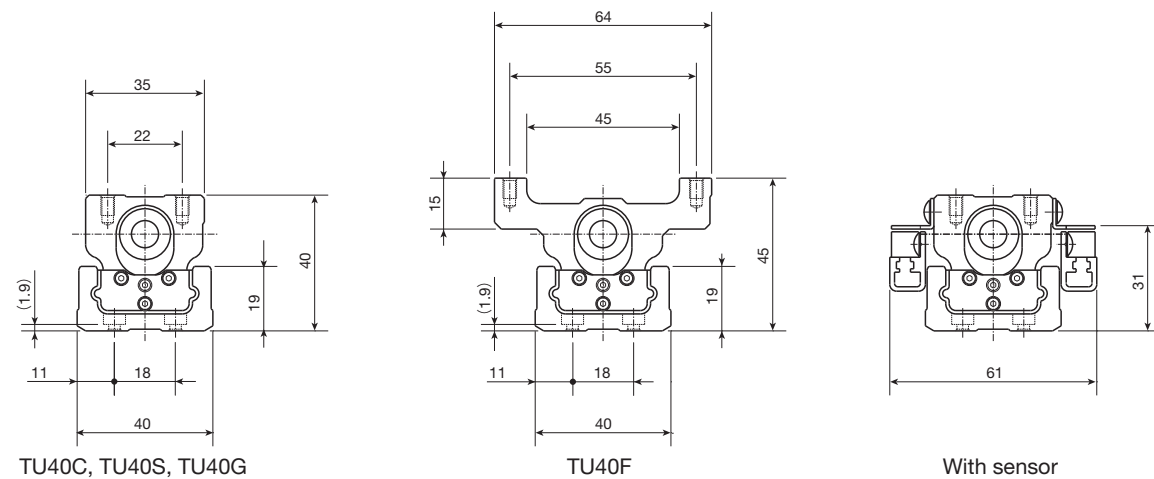
Remark: The material of track rail and casing is stainless steel.

IKO Precision Positioning Table TU

TU40



A-A Sectional dimension



Note (1) No thread hole is prepared for TU40F.

(2) The dimension in () is applied to motor attachment codes AT117 and AT122.

Dimensions of slide table

unit: mm

Model and size	L_2	L_3	L_4	L_6	L_7	n_3	n_4	Mass kg
TU40C	—	—	19.5	45	43	—	2	0.1
TU40S	—	18	31.5	60	55	—	4	0.2
TU40G	18	34	47.5	75	71	4	4	0.3
TU40F	—	18	31.5	60	55	—	4	0.3

Dimensions of track rail

unit: mm

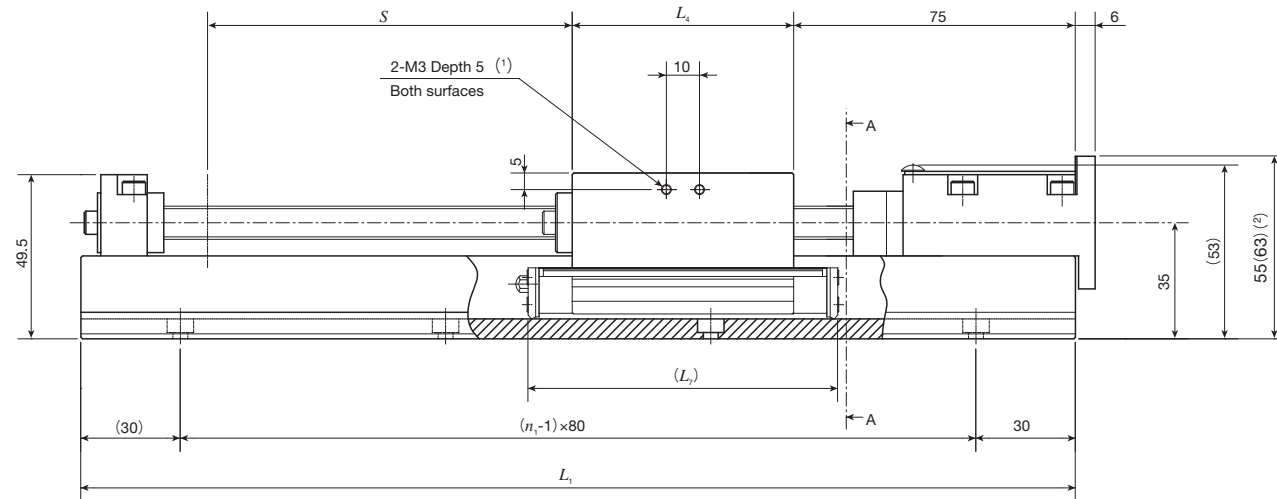
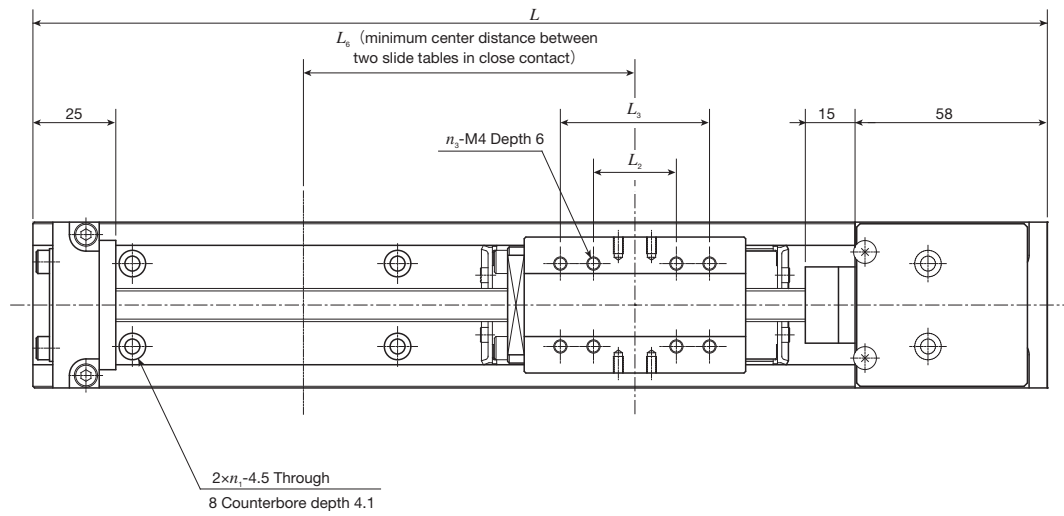
Length of track rail L_1	Overall length L	n_1	Stroke length $S^{(1)}$			Mass $^{(2)}$ kg			
			TU40C	TU40S TU40F	TU40G	TU40C	TU40S	TU40G	TU40F
180	186	3	45(—)	30(—)	— (—)	0.9	1.0	—	1.1
240	246	4	105(70)	90(40)	80(—)	1.1	1.2	1.3	1.3
300	306	5	165(130)	150(100)	140(70)	1.2	1.3	1.4	1.4
360	366	6	225(190)	210(160)	200(130)	1.4	1.5	1.6	1.6
420	426	7	285(250)	270(220)	260(190)	1.6	1.7	1.8	1.8

Notes (1) The value indicates the allowable stroke length when limit sensors are mounted. The value in () represents dimension for two slide tables in close contact.

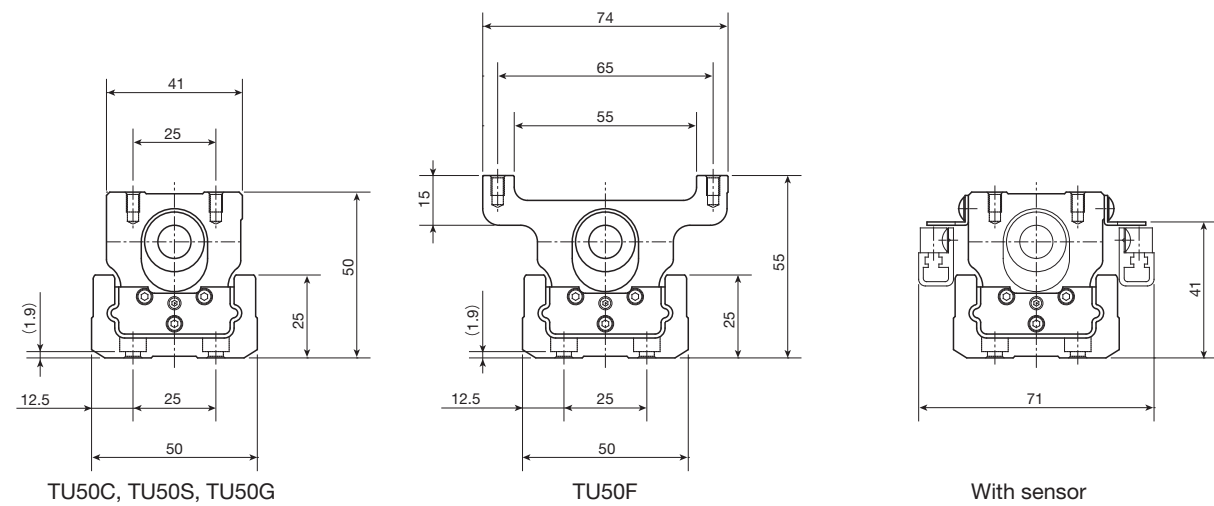
(2) The value shows the mass of the entire table with one slide table.

IKO Precision Positioning Table TU

TU50



A-A Sectional dimension



Note (1) No thread hole is prepared for TU50F.

(2) The dimension in () is applied to motor attachment codes AT117 and AT122.

Dimensions of slide table

unit: mm

Model and size	L_2	L_3	L_4	L_6	L_7	n_3	Mass kg
TU50C	—	—	23.8	55	51	2	0.2
TU50S	25	—	42.8	75	70	4	0.4
TU50G	25	45	66.8	100	94	8	0.7
TU50F	25	—	42.8	75	70	4	0.5

Dimensions of track rail

unit: mm

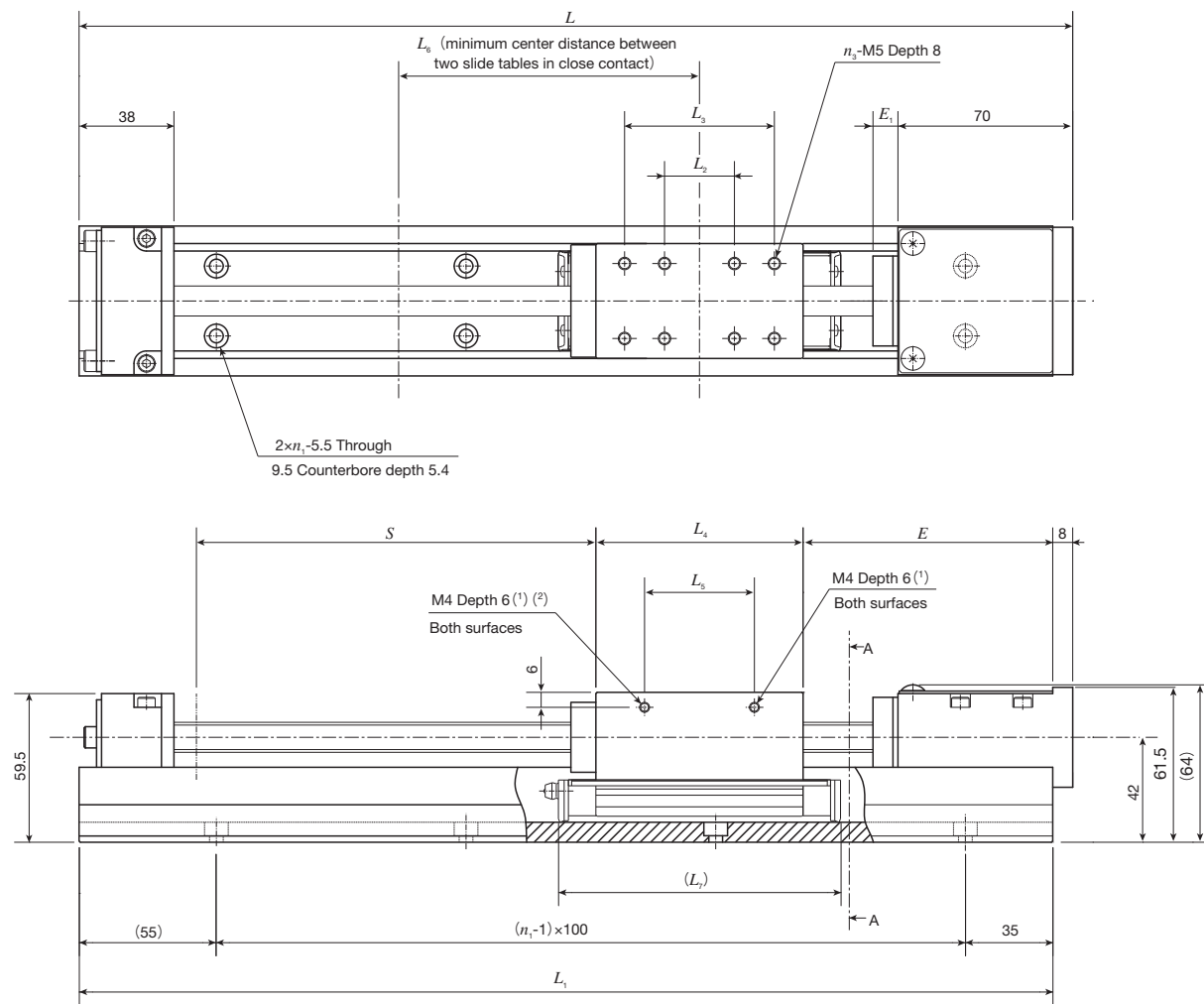
Length of track rail L_1	Overall length L	n_1	Stroke length $S^{(1)}$			Mass ⁽²⁾ kg			
			TU50C	TU50S TU50F	TU50G	TU50C	TU50S	TU50G	TU50F
220	226	3	80(—)	60(—)	—(—)	1.6	1.8	—	1.9
300	306	4	160(115)	140(75)	120(—)	1.9	2.1	2.4	2.2
380	386	5	240(195)	220(155)	200(110)	2.3	2.5	2.8	2.6
460	466	6	320(275)	300(235)	280(190)	2.7	2.9	3.2	3.0
540	546	7	400(355)	380(315)	360(270)	3.1	3.3	3.6	3.4
620	626	8	480(435)	460(395)	440(350)	3.5	3.7	3.9	3.8
700	706	9	560(515)	540(475)	520(430)	3.8	4.0	4.3	4.1

Notes (1) The value indicates the allowable stroke length when limit sensors are mounted. The value in () represents dimension for two slide tables in close contact.

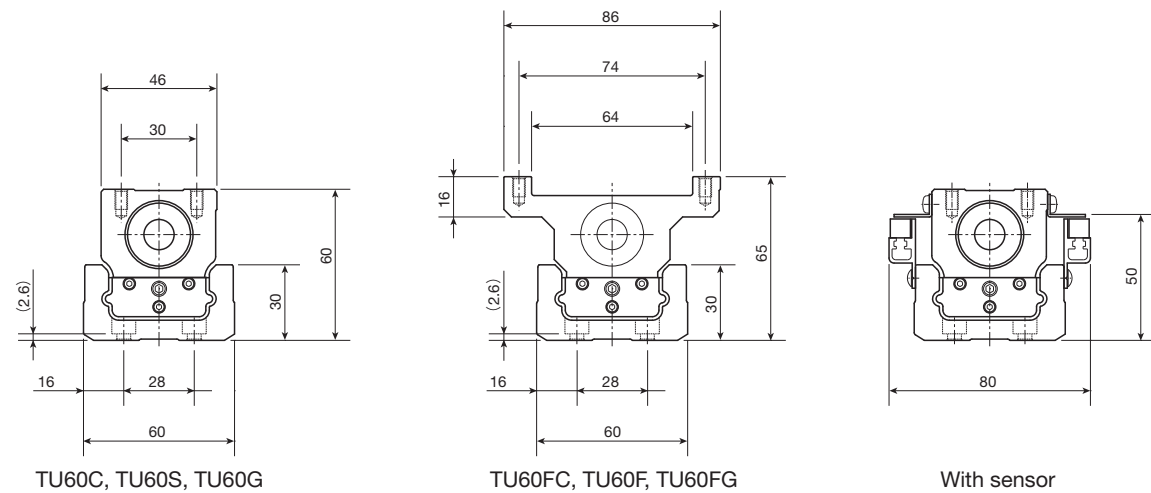
(2) The value shows the mass of the entire table with one slide table.

IKO Precision Positioning Table TU

TU60



A-A Sectional dimension



Notes (1) No thread hole is prepared for TU60FC, TU60F, TU60FG.
(2) TU60C is $\phi 3$ depth 2.

<Ball screw lead 5mm, 10mm>

Dimensions of slide table

unit: mm

Model and size	L_2	L_3	L_4	L_5	L_6	L_7	n_3	E	E_1	Mass kg
TU60C	—	—	27.4	17.4	65	58	2	90	15	0.3
TU60S	28	—	52.4	18	90	83	4	80	10	0.6
TU60G	28	60	83	44	120.5	113	8	80	10	1.0
TU60FC	—	—	27.4	—	65	58	2	90	15	0.4
TU60F	28	—	52.4	—	90	83	4	80	10	0.8
TU60FG	28	60	83	—	120.5	113	8	80	10	1.3

Dimensions of track rail

unit: mm

Length of track rail L_1	Overall length L	n_1	Stroke length $S^{(1)}$			Mass $^{(2)}$ kg					
			TU60C TU60FC	TU60S TU60F	TU60G TU60FG	TU60C	TU60S	TU60G	TU60FC	TU60F	TU60FG
290	298	3	110(50)	100(—)	70(—)	3.0	3.3	3.6	3.1	3.5	3.9
390	398	4	210(150)	200(120)	170(60)	3.7	4.0	4.4	3.8	4.2	4.7
490	498	5	310(250)	300(220)	270(160)	4.5	4.8	5.1	4.6	4.9	5.4
590	598	6	410(350)	400(320)	370(260)	5.2	5.5	5.8	5.3	5.7	6.1
690	698	7	510(450)	500(420)	470(360)	6.0	6.2	6.6	6.1	6.4	6.9
790	798	8	610(550)	600(520)	570(460)	6.7	7.0	7.3	6.8	7.2	7.6
990	998	10	810(750)	800(720)	770(660)	8.3	8.6	9.0	8.4	8.7	9.1
1190	1198	12	1 010(950)	1 000(920)	970(860)	9.8	10.1	10.5	9.9	10.2	10.6

Notes (1) The value indicates the allowable stroke length when limit sensors are mounted. The value in () represents dimension for two slide tables in close contact.

(2) The value shows the mass of the entire table with one slide table.

<Ball screw lead 20mm>

Dimensions of slide table

unit: mm

Model and size	L_2	L_3	L_4	L_5	L_6	L_7	n_3	E	E_1	Mass kg
TU60C	—	—	27.4	17.4	65	58	2	110	15	0.3
TU60S	28	—	52.4	18	90	83	4	85	15	0.6
TU60G	28	60	83	44	120.5	113	8	85	15	1.0
TU60FC	—	—	27.4	—	65	58	2	110	15	0.4
TU60F	28	—	52.4	—	90	83	4	85	15	0.8
TU60FG	28	60	83	—	120.5	113	8	85	15	1.3

Dimensions of track rail

unit: mm

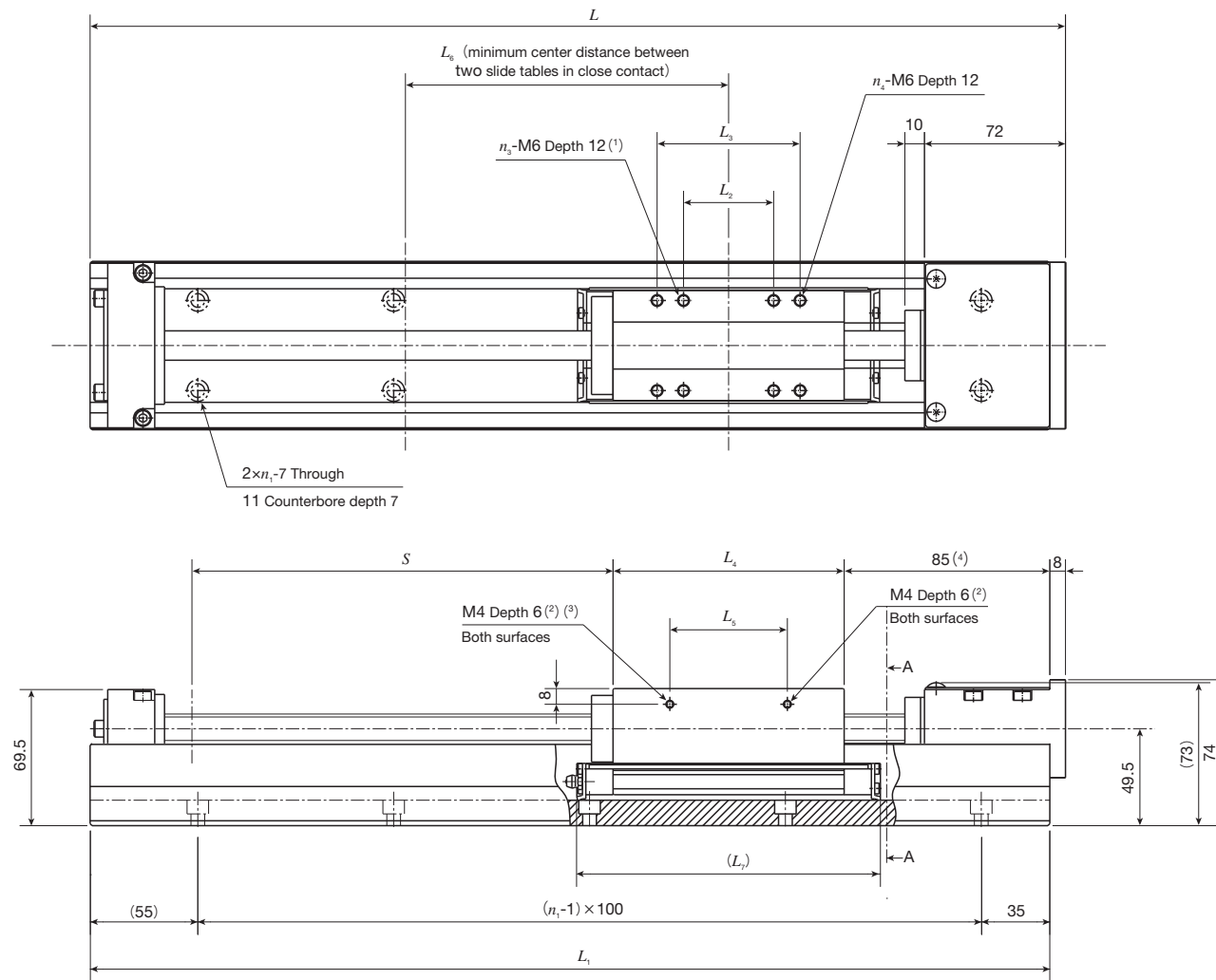
Length of track rail L_1	Overall length L	n_1	Stroke length $S^{(1)}$			Mass $^{(2)}$ kg					
			TU60C TU60FC	TU60S TU60F	TU60G TU60FG	TU60C	TU60S	TU60G	TU60FC	TU60F	TU60FG
290	298	3	95(—)	95(—)	65(—)	3.1	3.4	3.7	3.2	3.6	4.0
390	398	4	195(135)	195(115)	165(—)	3.8	4.1	4.5	3.9	4.3	4.8
490	498	5	295(235)	295(215)	265(155)	4.6	4.9	5.2	4.7	5.0	5.5
590	598	6	395(335)	395(315)	365(255)	5.3	5.6	5.9	5.4	5.8	6.2
690	698	7	495(435)	495(415)	465(355)	6.1	6.3	6.7	6.2	6.5	7.0
790	798	8	595(535)	595(515)	565(455)	6.8	7.1	7.4	6.9	7.3	7.7

Notes (1) The value indicates the allowable stroke length when limit sensors are mounted. The value in () represents dimension for two slide tables in close contact.

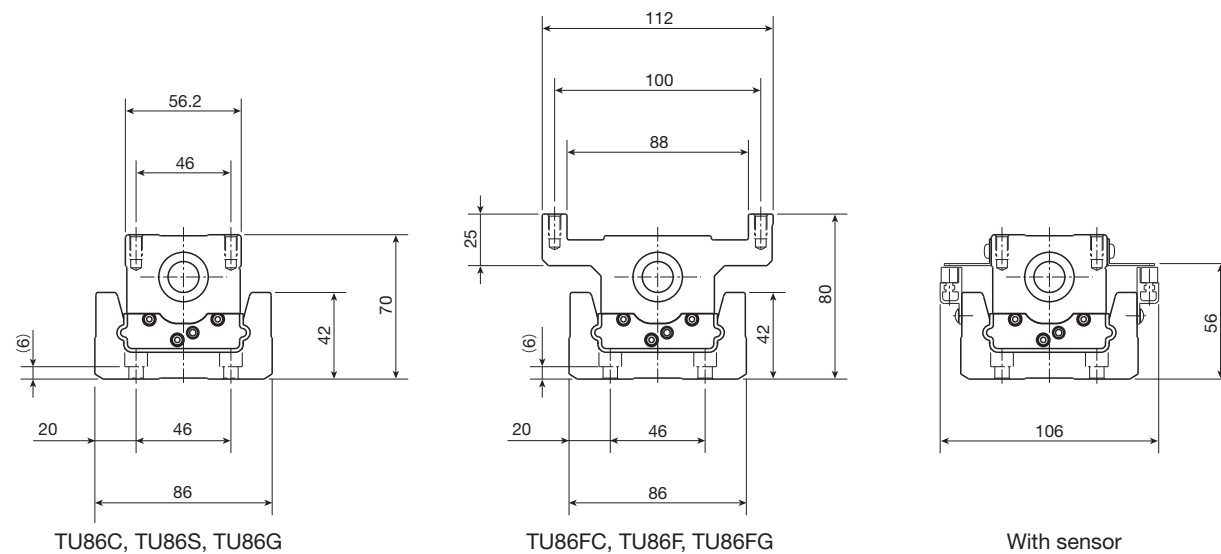
(2) The value shows the mass of the entire table with one slide table.

IKO Precision Positioning Table TU

TU86



A-A Sectional dimension



- Notes (1) TU86F is M5 depth 12.
 (2) No thread hole is prepared for TU86FC, TU86F, TU86FG.
 (3) TU86C is $\phi 3$ depth 2.
 (4) If the track rail length for TU86C and TU86FC is 1,390 or 1,590, the height is 90.

Dimensions of slide table

Model and size	L_2	L_3	L_4	L_5	L_6	L_7	n_3	n_4	Mass kg
TU86C	—	—	43	30	90	80	2	—	0.7
TU86S	46	—	93	63	140	130	4	—	1.7
TU86G	46	73	118	60	165	155	4	4	2.2
TU86FC	—	—	43	—	90	80	2	—	1.1
TU86F	28	46	93	—	140	130	4	4	2.3
TU86FG	46	73	118	—	165	155	4	4	3.0

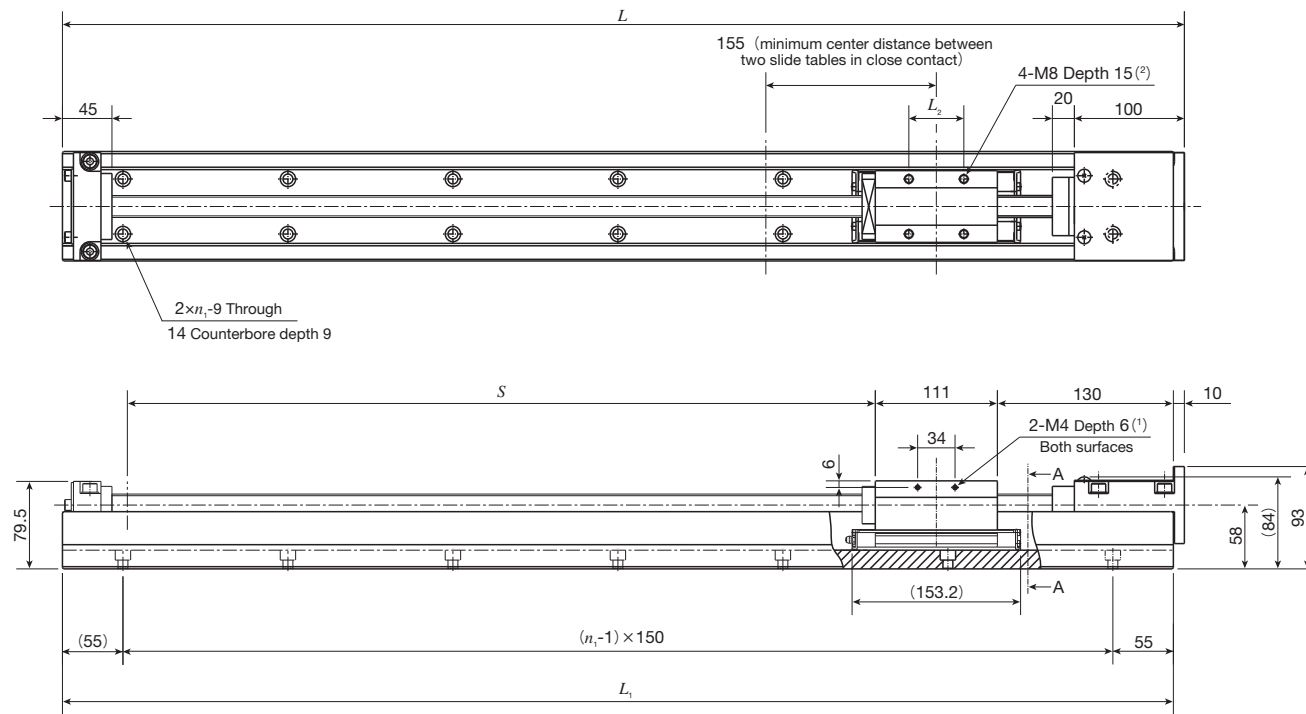
Dimensions of track rail

Length of track rail L_1	Overall length L	n_1	Stroke length $S^{(1)}$			Mass ⁽²⁾ kg					
			TU86C TU86FC	TU86S TU86F	TU86G TU86FG	TU86C	TU86S	TU86G	TU86FC	TU86F	TU86FG
490	498	5	300(220)	250(120)	225(—)	9.9	10.9	11.4	10.3	11.5	12.2
590	598	6	400(320)	350(220)	325(170)	10.8	11.7	12.2	11.2	12.4	13.0
690	698	7	500(420)	450(320)	425(270)	12.3	13.2	13.8	12.7	13.9	14.6
790	798	8	600(520)	550(420)	525(370)	13.8	14.7	15.3	14.2	15.4	16.1
890	898	9	700(620)	650(520)	625(470)	15.0	15.9	16.4	15.4	16.6	17.2
990	998	10	800(720)	750(620)	725(570)	16.5	17.4	17.9	16.9	18.1	18.7
1090	1 098	11	900(820)	850(720)	825(670)	18.0	18.9	19.4	18.4	19.6	20.2
1190	1 198	12	1 000(920)	950(820)	925(770)	19.5	20.4	21.0	19.9	21.1	21.8
1390	1 398	14	1 200(1 120)	1 150(1 020)	1 125(970)	24.5	25.4	25.9	24.9	26.0	26.7
1590	1 598	16	1 400(1 320)	1 350(1 220)	1 325(1 170)	27.8	28.7	29.2	28.2	29.3	30.0

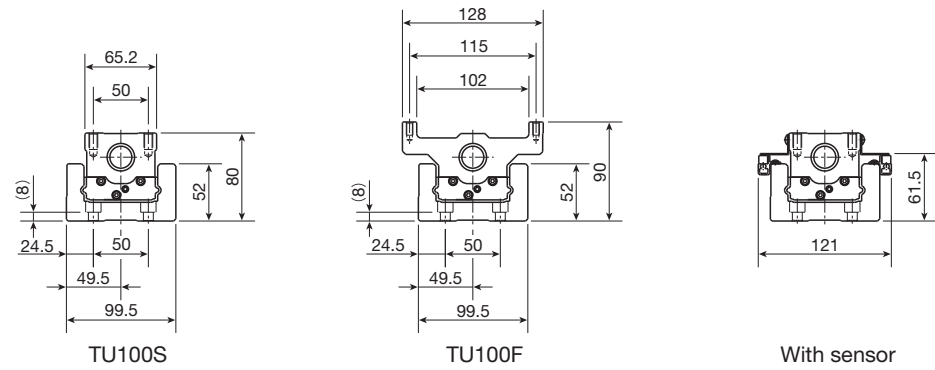
- Notes (1) The value indicates the allowable stroke length when limit sensors are mounted. The value in () represents dimension for two slide tables in close contact.
 (2) The value shows the mass of the entire table with one slide table.

IKO Precision Positioning Table TU

TU100



A-A Sectional dimension



Notes (1) No thread hole is prepared for TU100F.

(2) TU100F is M6 depth 12.

Remark: M12 female threads for hanging bolt are provided on the track rail.

Dimensions

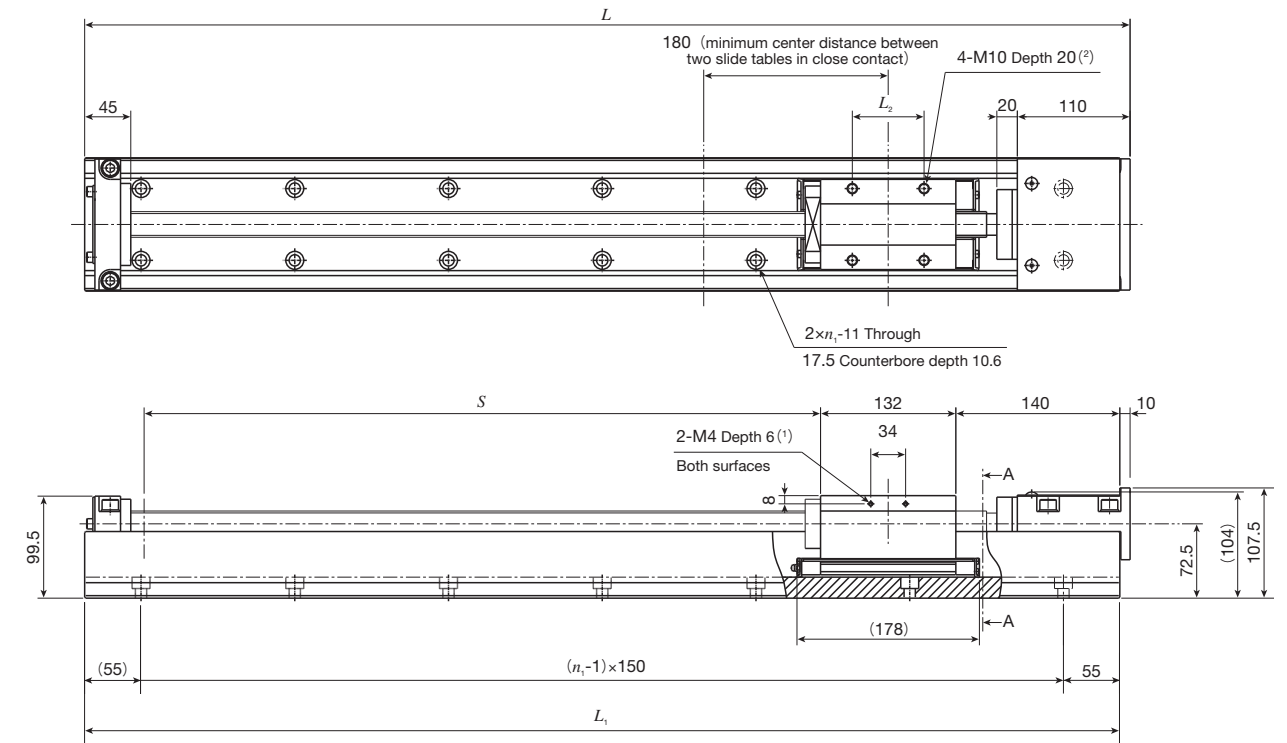
unit: mm

Model and size	Length of track rail L_1	Overall length L	Stroke length S (1)	n_1	L_2	Mass of slide table kg	Mass(2) kg
TU100S	1 010	1 020	690(550)	7	50	2.6	28.0
	1 160	1 170	840(700)	8			31.6
	1 310	1 320	990(850)	9			35.1
	1 460	1 470	1 140(1 000)	10			38.8
	1 610	1 620	1 290(1 150)	11			42.5
TU100F	1 010	1 020	690(550)	7	46	3.7	29.1
	1 160	1 170	840(700)	8			32.7
	1 310	1 320	990(850)	9			36.2
	1 460	1 470	1 140(1 000)	10			39.9

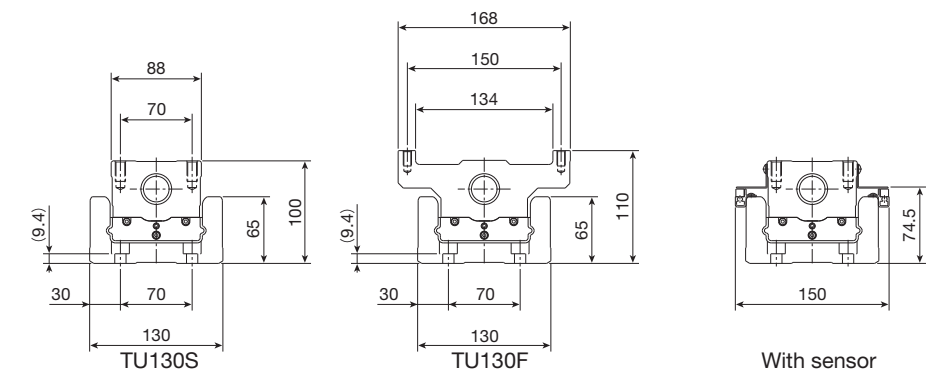
Notes (1) The value indicates the allowable stroke length when limit sensors are mounted. The value in () represents dimension for two slide tables in close contact.

(2) The value shows the mass of the entire table with one slide table.

TU130



A-A Sectional dimension



Notes (1) No thread hole is prepared for TU130F.

(2) TU130F is M8 depth 15.

Remark: M12 female threads for hanging bolt are provided on the track rail.

Dimensions

unit: mm

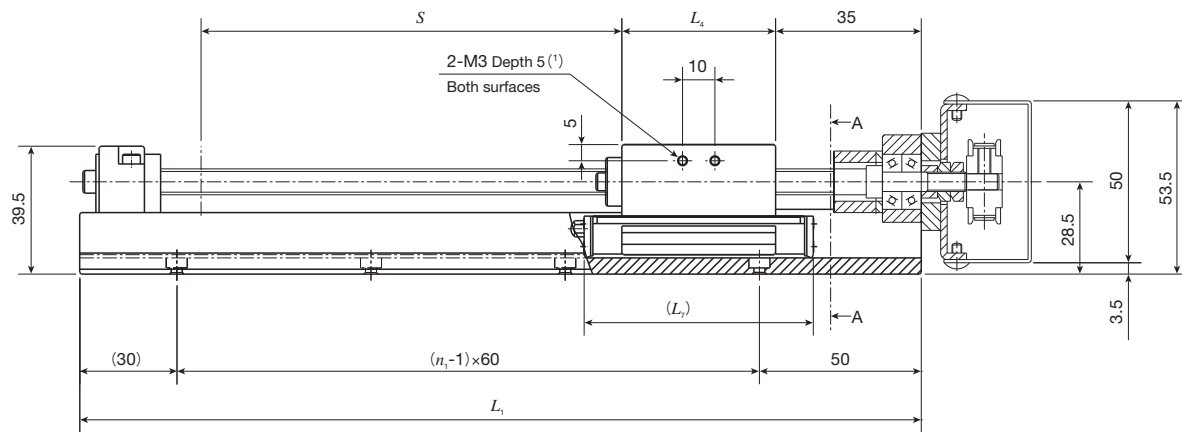
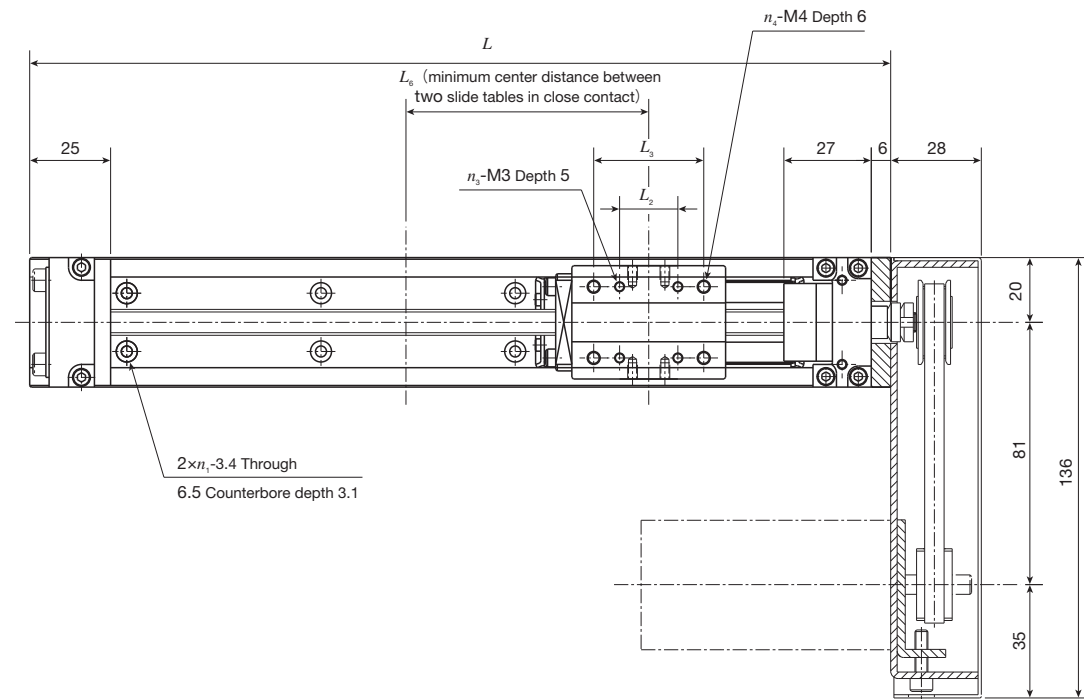
Model and size	Length of track rail L_1	Overall length L	Stroke length S (1)	n_1	L_2	Mass of slide table kg	Mass(2) kg
TU130S	1 010	1 020	660(490)	7	70	5.4	45.2
	1 160	1 170	810(640)	8			50.6
	1 310	1 320	960(790)	9			56.2
	1 460	1 470	1 110(940)	10			61.8
	1 610	1 620	1 260(1 090)	11			67.3
TU130F	1 010	1 020	660(490)	7	50	7.8	47.6
	1 160	1 170	810(640)	8			53.0
	1 310	1 320	960(790)	9			58.6
	1 460	1 470	1 110(940)	10			64.2
	1 610	1 620	1 260(1 090)	11			69.7

Notes (1) The value indicates the allowable stroke length when limit sensors are mounted. The value in () represents dimension for two slide tables in close contact.

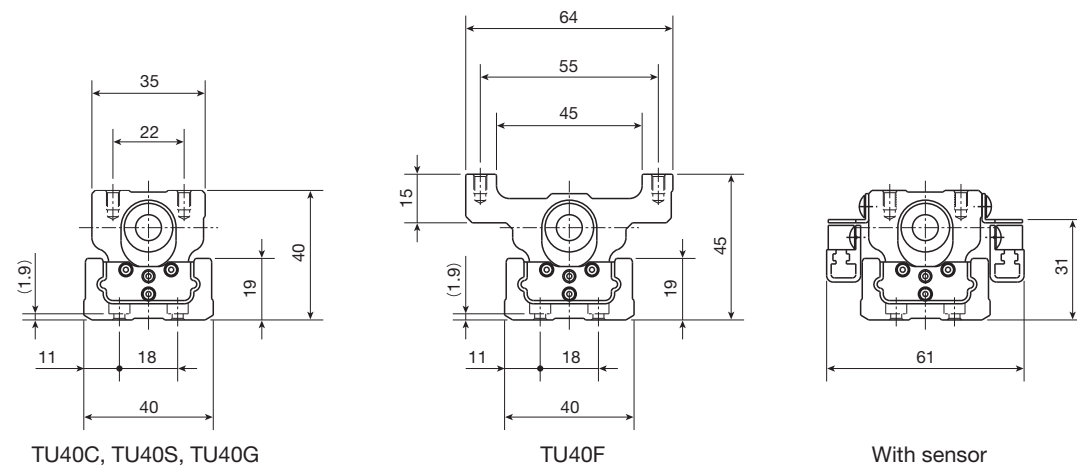
(2) The value shows the mass of the entire table with one slide table.

IKO Precision Positioning Table TU

TU40 Motor folding back specification



A-A Sectional dimension



Note (1) No thread hole is prepared for TU40F.

Remark: Parts for motor attachment are appended. This figure indicates a finished state after the motor attachment is assembled by the customer.

Dimensions of slide table

unit: mm

Model and size	L_2	L_3	L_4	L_6	L_7	n_3	n_4	Mass kg
TU40C	—	—	19.5	45	43	—	2	0.1
TU40S	—	18	31.5	60	55	—	4	0.2
TU40G	18	34	47.5	75	71	4	4	0.3
TU40F	—	18	31.5	60	55	—	4	0.3

Dimensions of track rail

unit: mm

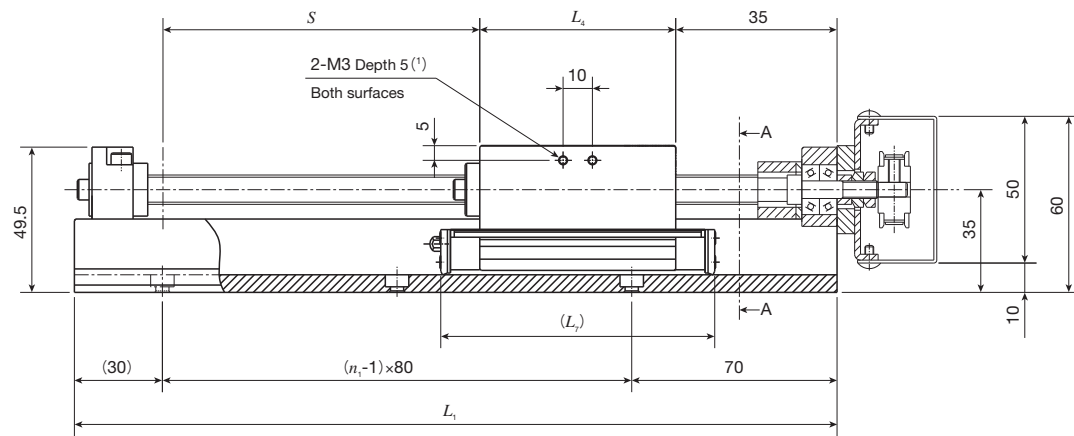
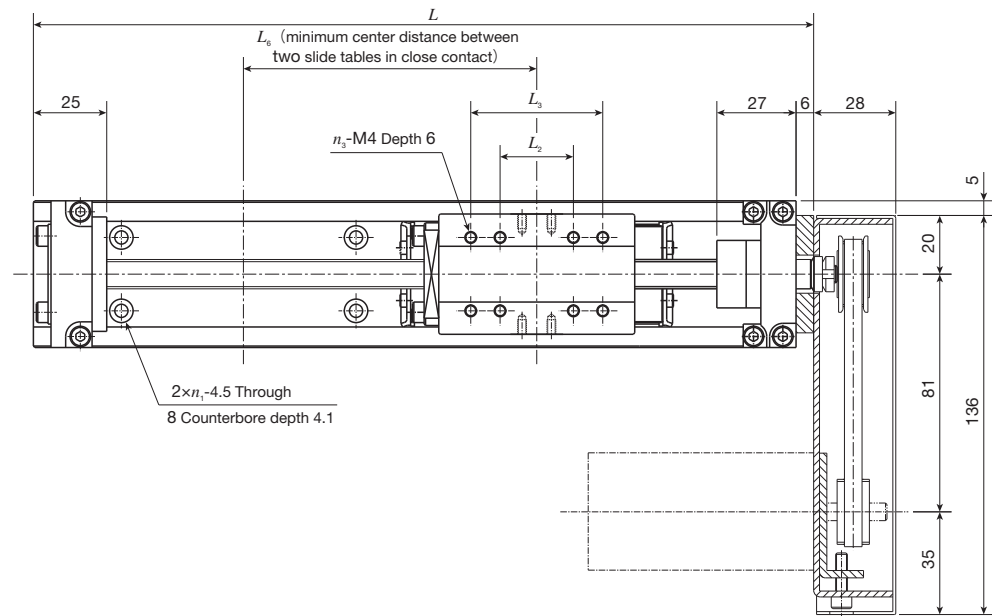
Length of track rail L_1	Overall length L	n_1	Stroke length $S^{(1)}$			Mass ⁽²⁾ kg			
			TU40C	TU40S TU40F	TU40G	TU40C	TU40S	TU40G	TU40F
140	146	2	45(—)	30(—)	—(—)	1.0	1.1	—	1.2
200	206	3	105(70)	90(40)	80(—)	1.2	1.3	1.4	1.4
260	266	4	165(130)	150(100)	140(70)	1.4	1.5	1.6	1.6
320	326	5	225(190)	210(160)	200(130)	1.6	1.7	1.8	1.8
380	386	6	285(250)	270(220)	260(190)	1.8	1.9	2.0	2.0

Notes (1) The value indicates the allowable stroke length when limit sensors are mounted. The value in () represents dimension for two slide tables in close contact.

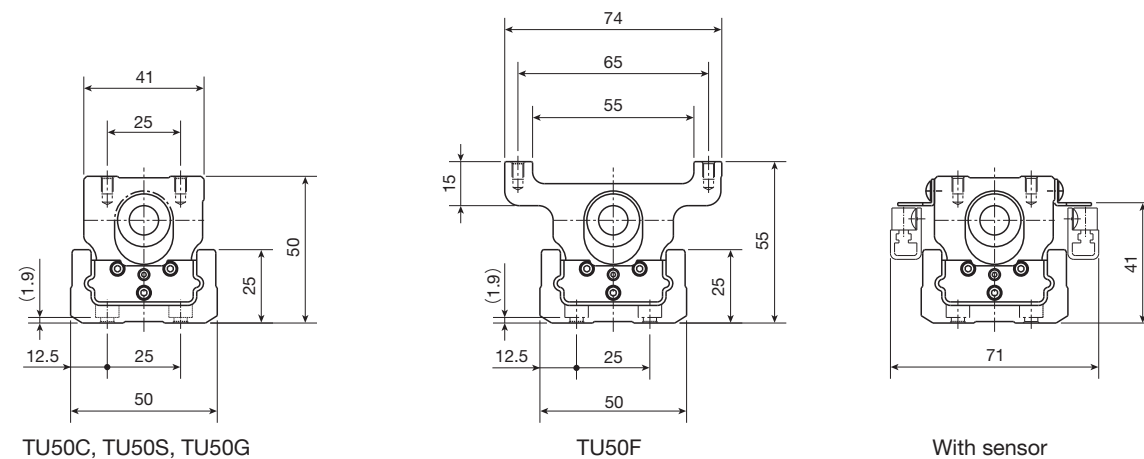
(2) The value shows the mass of the entire table with one slide table.

IKO Precision Positioning Table TU

TU50 Motor folding back specification



A-A Sectional dimension



TU50C, TU50S, TU50G

TU50F

With sensor

Note (1) No thread hole is prepared for TU50F.

Remark: Parts for motor attachment are appended. This figure indicates a finished state after the motor attachment is assembled by the customer.

Dimensions of slide table

unit: mm

Model and size	L_2	L_3	L_4	L_6	L_7	n_3	Mass kg
TU50C	—	—	23.8	55	51	2	0.2
TU50S	25	—	42.8	75	70	4	0.4
TU50G	25	45	66.8	100	94	8	0.7
TU50F	25	—	42.8	75	70	4	0.5

Dimensions of track rail

unit: mm

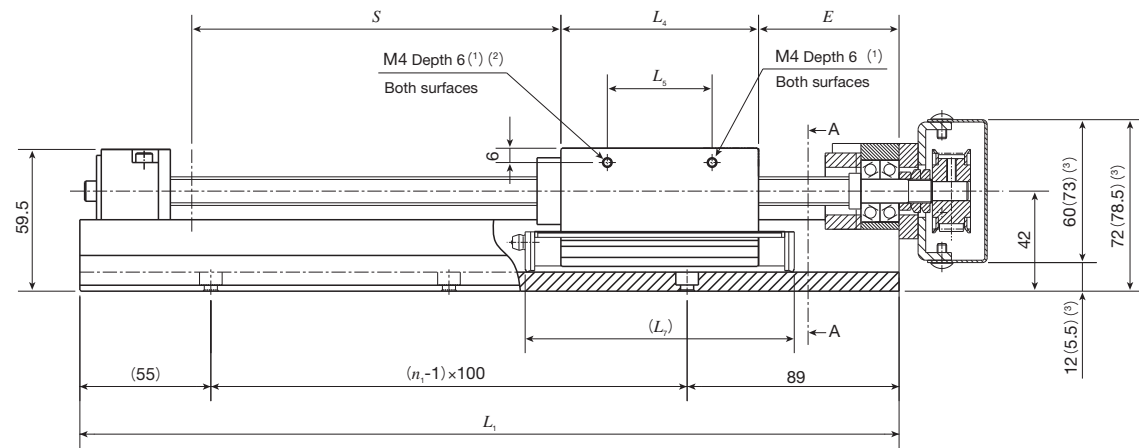
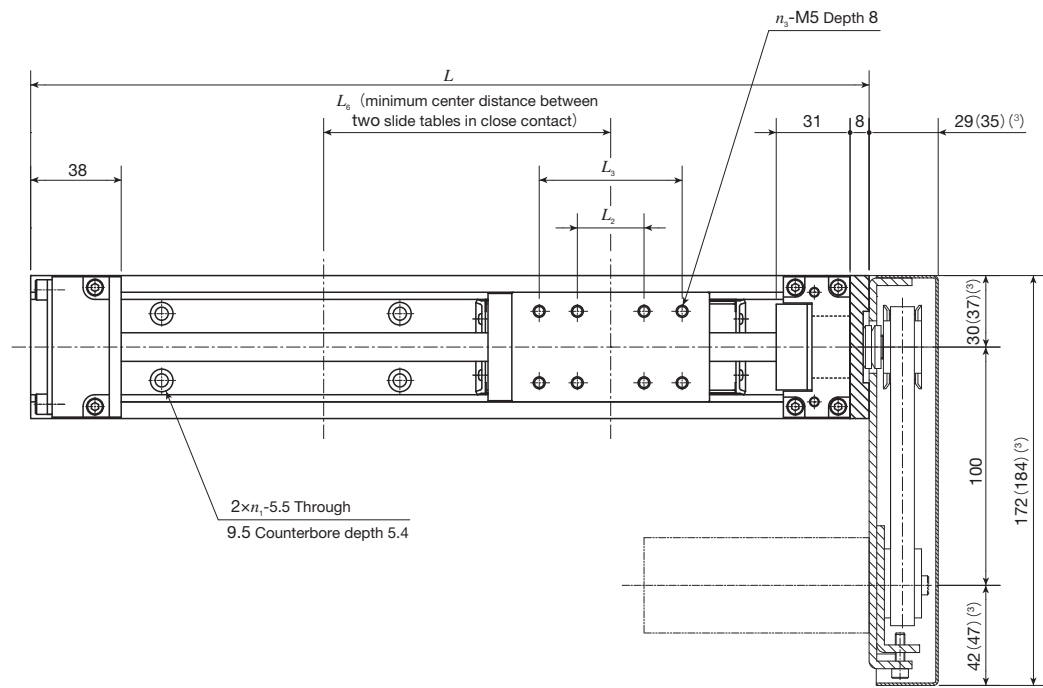
Length of track rail L_1	Overall length L	n_1	Stroke length $S^{(1)}$			Mass ⁽²⁾ kg			
			TU50C	TU50S TU50F	TU50G	TU50C	TU50S	TU50G	TU50F
180	186	2	80(—)	60(—)	—(—)	1.6	1.8	—	1.9
260	266	3	160(115)	140(75)	120(—)	1.9	2.1	2.4	2.2
340	346	4	240(195)	220(155)	200(110)	2.3	2.5	2.8	2.6
420	426	5	320(275)	300(235)	280(190)	2.7	2.9	3.2	3.0
500	506	6	400(355)	380(315)	360(270)	3.1	3.3	3.6	3.4
580	586	7	480(435)	460(395)	440(350)	3.5	3.7	3.9	3.8
660	666	8	560(515)	540(475)	520(430)	3.8	4.0	4.3	4.1

Notes (1) The value indicates the allowable stroke length when limit sensors are mounted. The value in () represents dimension for two slide tables in close contact.

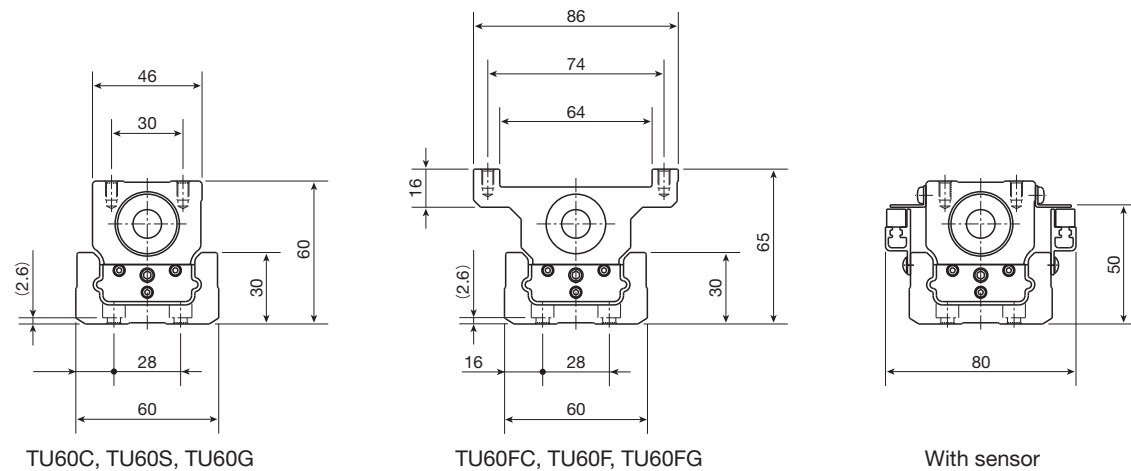
(2) The value shows the mass of the entire table with one slide table.

IKO Precision Positioning Table TU

TU60 Motor folding back specification



A-A Sectional dimension



TU60C, TU60S, TU60G

TU60FC, TU60F, TU60FG

With sensor

Notes (1) No thread hole is prepared for TU60FC, TU60F, TU60FG.

(2) TU60C is $\phi 3$ depth 2.

(3) The dimension in () is applied to motor attachment codes AT117 and AT122.

Remark: Parts for motor attachment are appended. This figure indicates a finished state after the motor attachment is assembled by the customer.

<Ball screw lead 5mm, 10mm>

Dimensions of slide table

Model and size	L_2	L_3	L_4	L_5	L_6	L_7	n_3	E	Mass kg
TU60C	-	-	27.4	17.4	65	58	2	44	0.3
TU60S	28	-	52.4	18	90	83	4	39	0.6
TU60G	28	60	83	44	120.5	113	8	39	1.0
TU60FC	-	-	27.4	-	65	58	2	44	0.4
TU60F	28	-	52.4	-	90	83	4	39	0.8
TU60FG	28	60	83	-	120.5	113	8	39	1.3

Dimensions of track rail

Length of track rail L_1	Overall length L	n_1	Stroke length $S^{(1)}$			Mass ⁽²⁾ kg					
			TU60C TU60FC	TU60S TU60F	TU60G TU60FG	TU60C	TU60S	TU60G	TU60FC	TU60F	TU60FG
244	252	2	110(50)	95(-)	- (-)	3.6	3.9	-	3.7	4.1	-
344	352	3	210(150)	195(115)	165(-)	4.3	4.6	5.0	4.4	4.8	5.3
444	452	4	310(250)	295(215)	265(155)	5.1	5.4	5.7	5.2	5.5	6.0
544	552	5	410(350)	395(315)	365(255)	5.8	6.1	6.4	5.9	6.3	6.7
644	652	6	510(450)	495(415)	465(355)	6.6	6.8	7.2	6.7	7.0	7.5
744	752	7	610(550)	595(515)	565(455)	7.5	7.6	7.9	7.6	7.8	8.2

Notes (1) The value indicates the allowable stroke length when limit sensors are mounted. The value in () represents dimension for two slide tables in close contact.

(2) The value shows the mass of the entire table with one slide table.

<Ball screw lead 20mm>

Dimensions of slide table

Model and size	L_2	L_3	L_4	L_5	L_6	L_7	n_3	E	Mass kg
TU60C	-	-	27.4	17.4	65	58	2	64	0.3
TU60S	28	-	52.4	18	90	83	4	39	0.6
TU60G	28	60	83	44	120.5	113	8	39	1.0
TU60FC	-	-	27.4	-	65	58	2	64	0.4
TU60F	28	-	52.4	-	90	83	4	39	0.8
TU60FG	28	60	83	-	120.5	113	8	39	1.3

Dimensions of track rail

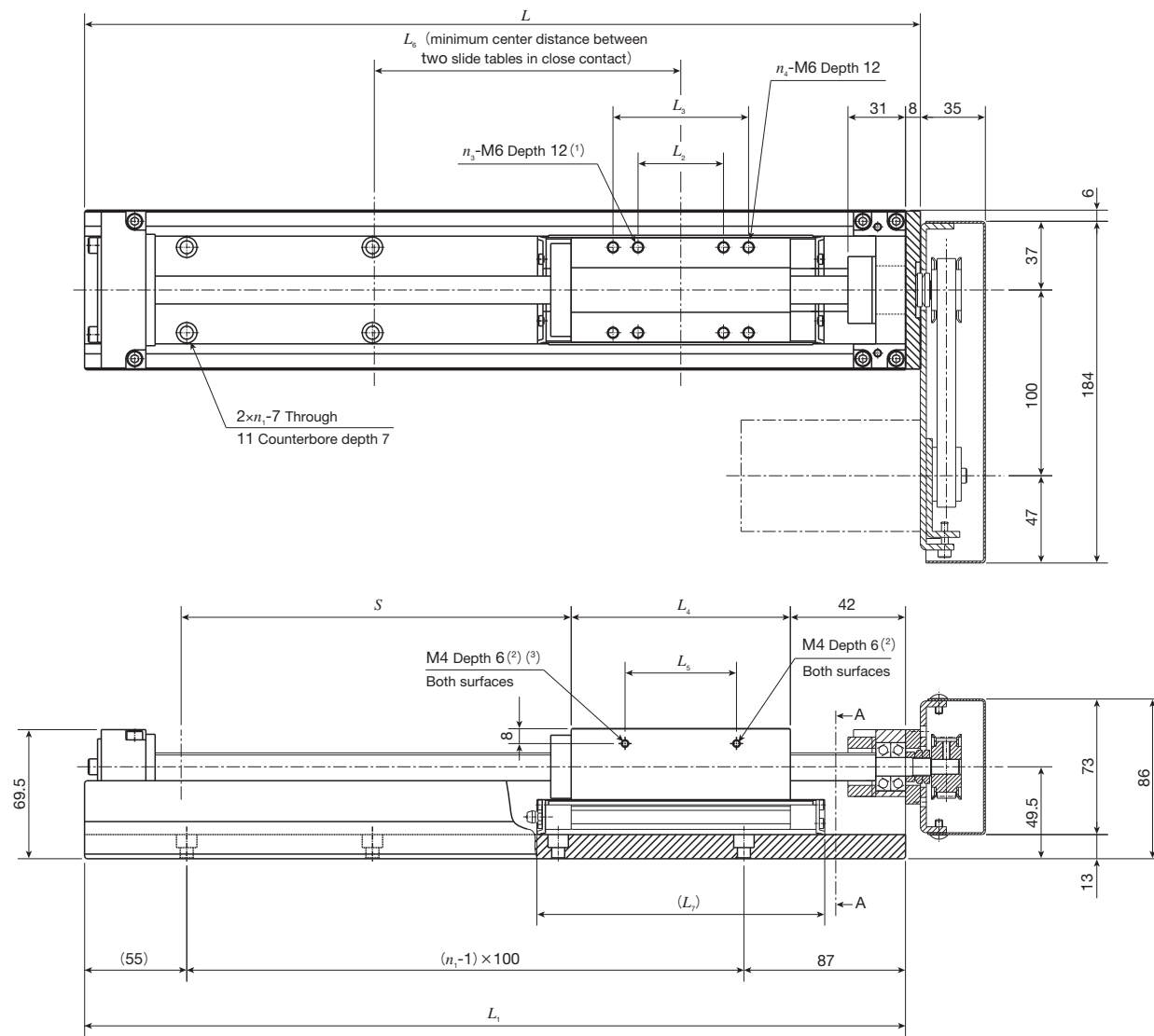
Length of track rail L_1	Overall length L	n_1	Stroke length $S^{(1)}$			Mass ⁽²⁾ kg					
			TU60C TU60FC	TU60S TU60F	TU60G TU60FG	TU60C	TU60S	TU60G	TU60FC	TU60F	TU60FG
244	252	2	95(-)	95(-)	- (-)	3.7	4.0	-	3.8	4.2	-
344	352	3	195(135)	195(115)	165(-)	4.4	4.7	5.1	4.5	4.9	5.4
444	452	4	295(235)	295(215)	265(155)	5.2	5.5	5.8	5.3	5.6	6.1
544	552	5	395(335)	395(315)	365(255)	5.9	6.2	6.5	6.0	6.4	6.8
644	652	6	495(435)	495(415)	465(355)	6.7	6.9	7.3	6.8	7.1	7.6
744	752	7	595(535)	595(515)	565(455)	7.6	7.7	8.0	7.7	7.9	8.3

Notes (1) The value indicates the allowable stroke length when limit sensors are mounted. The value in () represents dimension for two slide tables in close contact.

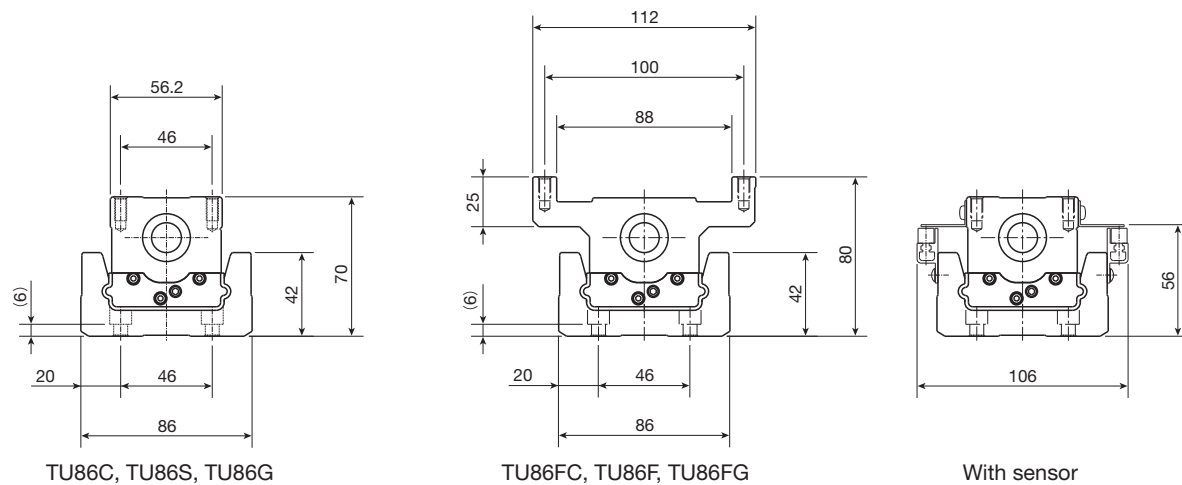
(2) The value shows the mass of the entire table with one slide table.

IKO Precision Positioning Table TU

TU86 Motor folding back specification



A-A Sectional dimension



Notes (1) TU86F is M5 depth 12.

(2) No thread hole is prepared for TU86FC, TU86F, TU86FG.

(3) TU86C is $\phi 3$ depth 2.

Remark: Parts for motor attachment are appended. This figure indicates a finished state after the motor attachment is assembled by the customer.

Dimensions of slide table

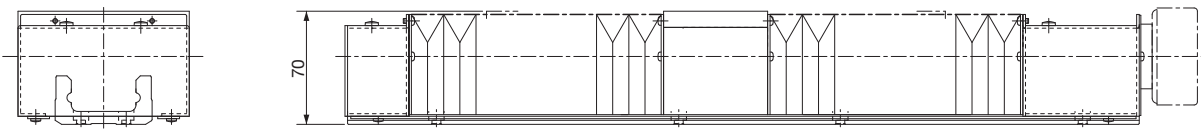
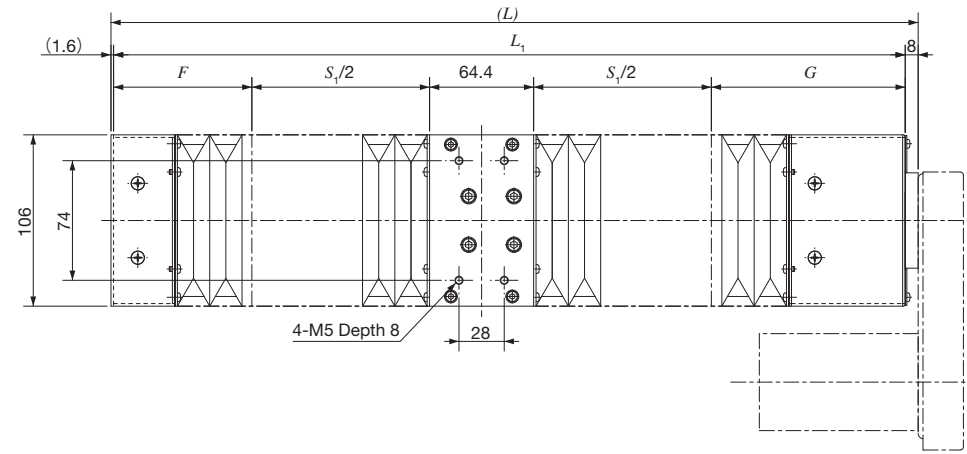
Model and size	L_2	L_3	L_4	L_5	L_6	L_7	n_3	n_4	Mass kg
TU86C	—	—	43	30	90	80	2	—	0.7
TU86S	46	—	93	63	140	130	4	—	1.7
TU86G	46	73	118	60	165	155	4	4	2.2
TU86FC	—	—	43	—	90	80	2	—	1.1
TU86F	28	46	93	—	140	130	4	4	2.3
TU86FG	46	73	118	—	165	155	4	4	3.0

Dimensions of track rail

Length of track rail L_1	Overall length L	n_1	Stroke length $S^{(1)}$			Mass ⁽²⁾ kg					
			TU86C TU86FC	TU86S TU86F	TU86G TU86FG	TU86C	TU86S	TU86G	TU86FC	TU86F	TU86FG
442	450	4	295(215)	245(115)	220(—)	10.3	11.3	11.8	10.7	11.9	12.6
542	550	5	395(315)	345(215)	320(165)	11.2	12.1	12.6	11.6	12.8	13.4
642	650	6	495(415)	445(315)	420(265)	12.7	13.6	14.2	13.1	14.3	15.0
742	750	7	595(515)	545(415)	520(365)	14.2	15.1	15.7	14.6	15.8	16.5
842	850	8	695(615)	645(515)	620(465)	15.4	16.3	16.8	15.8	17.0	17.6
942	950	9	795(715)	745(615)	720(565)	16.9	17.8	18.3	17.3	18.5	19.1
1042	1 050	10	895(815)	845(715)	820(665)	18.4	19.3	19.8	18.8	20.0	20.6
1142	1 150	11	995(915)	945(815)	920(765)	19.9	20.8	21.4	20.3	21.5	22.2

Notes (1) The value indicates the allowable stroke length when limit sensors are mounted. The value in () represents dimension for two slide tables in close contact.

(2) The value shows the mass of the entire table with one slide table.



unit: mm

Length of track rail L_1	Overall length (L)	Limit stroke length ⁽¹⁾ S_1	Stroke length ⁽²⁾ S	F	G
290 (244)	299.6(253.6)	73.6(68.6)	65(60)	59(59)	93(52)
390 (344)	399.6(353.6)	147.6(142.6)	140(135)	72(72)	106(65)
490 (444)	499.6(453.6)	219.6(214.6)	210(205)	86(86)	120(79)
590 (544)	599.6(553.6)	293.6(288.6)	285(280)	99(99)	133(92)
690 (644)	699.6(653.6)	393.6(388.6)	380(375)	99(99)	133(92)
790 (744)	799.6(753.6)	465.6(460.6)	455(450)	113(113)	147(106)

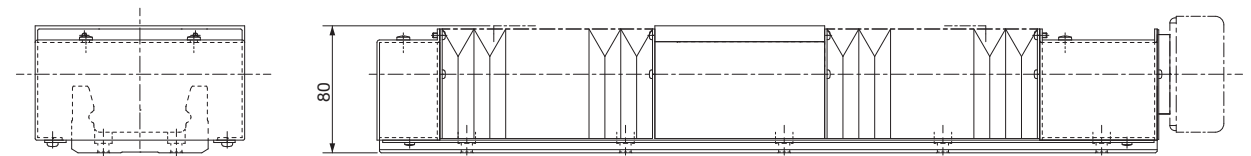
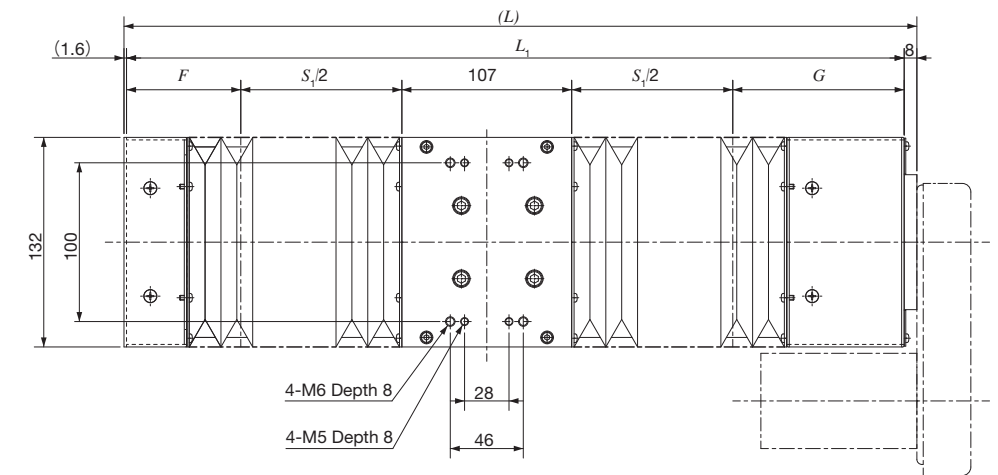
Notes ⁽¹⁾ The value indicates the limit value of stroke with which the slide table can move.

⁽²⁾ The value indicates the allowable stroke length when limit sensors are mounted.

Remarks 1. The values in () are applied to table with bellows of motor folding back specification.

2. For the track rail mounting dimensions, please see the dimension table for TU60.

3. Applicable to tables with C-Lube.



unit: mm

Length of track rail L_1	Overall length (L)	Limit stroke length ⁽¹⁾ S_1	Stroke length ⁽²⁾ S	F	G
490 (442)	499.6(451.6)	203(198)	195(190)	72(72)	108(65)
590(542)	599.6(551.6)	275(270)	265(260)	86(86)	122(79)
690(642)	699.6(651.6)	349(344)	340(335)	99(99)	135(92)
790(742)	799.6(751.6)	421(416)	410(405)	113(113)	149(106)
890(842)	899.6(851.6)	521(516)	510(505)	113(113)	149(106)
990(942)	999.6(951.6)	593(588)	580(575)	127(127)	163(120)
1 090(1 042)	1 099.6(1 051.6)	667(662)	655(650)	140(140)	176(133)
1 190(1 142)	1 199.6(1 151.6)	739(734)	730(725)	154(154)	190(147)

Notes ⁽¹⁾ The value indicates the limit value of stroke with which the slide table can move.

⁽²⁾ The value indicates the allowable stroke length when limit sensors are mounted.

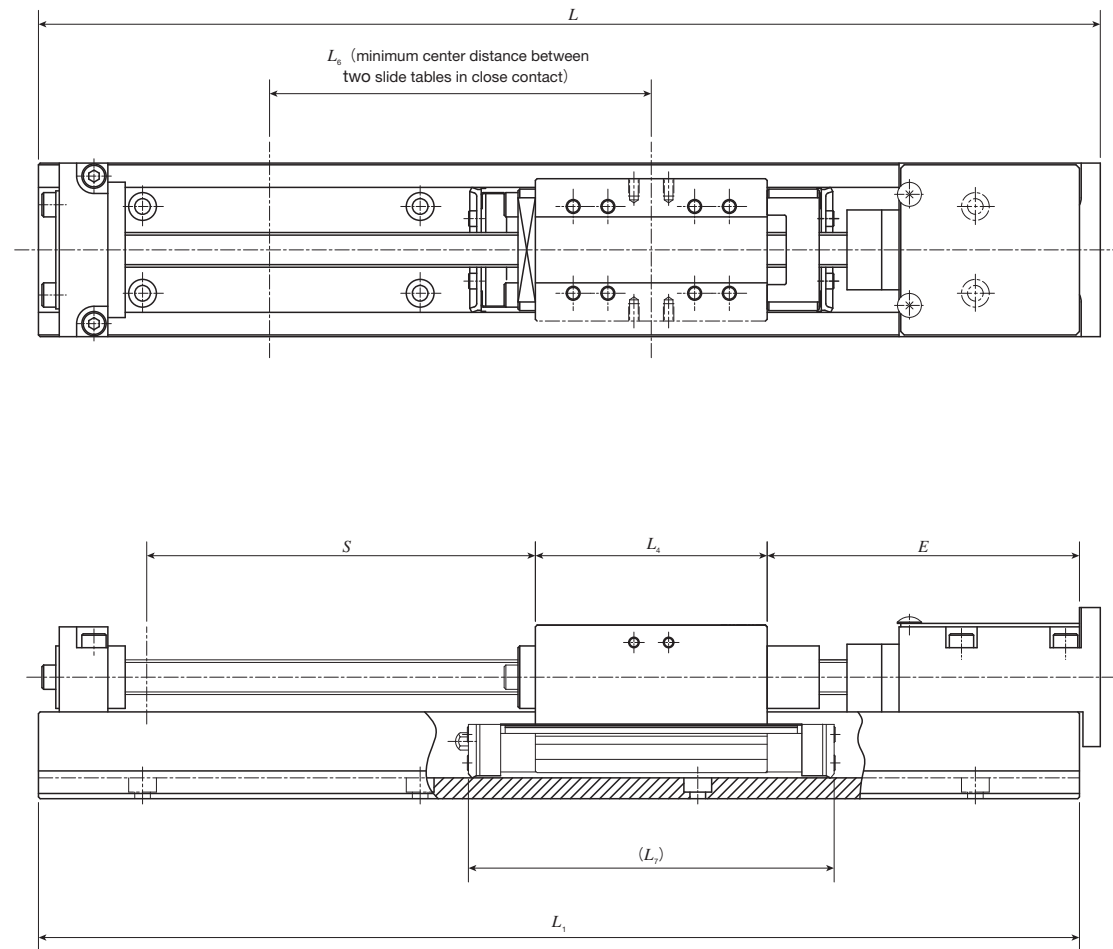
Remarks 1. The values in () are applied to table with bellows of motor folding back specification.

2. For the track rail mounting dimensions, please see the dimension table for TU86.

3. Applicable to tables with C-Lube.

IKO Precision Positioning Table TU

TU40, TU50 Table with C-Lube



unit: mm

Model and size	Length of track rail L_1	Overall length L	Stroke length S ⁽¹⁾	E	L_4	L_6	L_7
TU40C	180	186	30(-)	90	19.5	60	55
	240	246	90(40)				
	300	306	150(100)				
	360	366	210(160)				
	420	426	270(220)				
TU40S TU40F	240	246	80(-)	90	31.5	70	67
	300	306	140(75)				
	360	366	200(135)				
TU40G	240	246	60(-)	90	47.5	85	83
	300	306	120(-)				
	360	366	180(105)				
	420	426	240(165)				

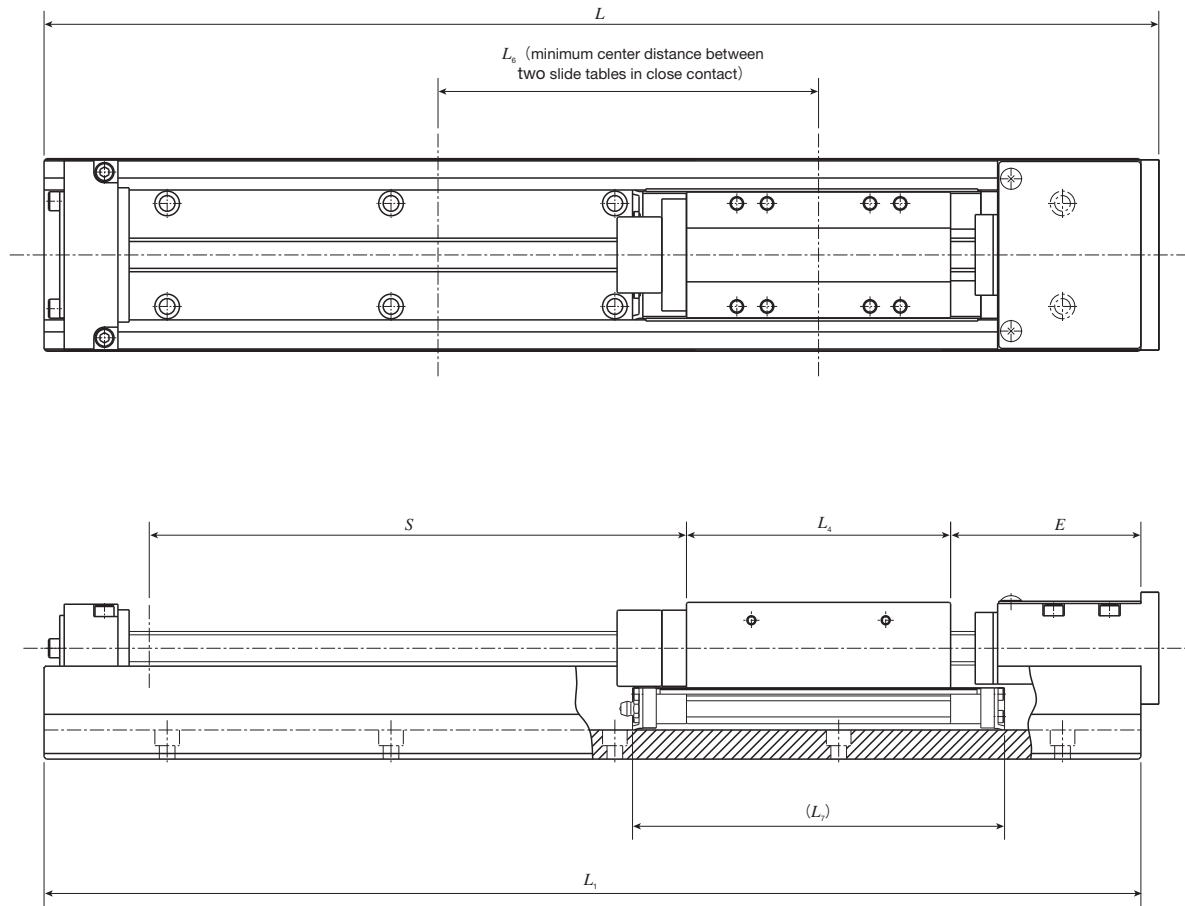
Model and size	Length of track rail L_1	Overall length L	Stroke length S ⁽¹⁾	E	L_4	L_6	L_7
TU50C	220	226	65(-)	90	23.8	65	63
	300	306	145(90)				
	380	386	225(170)				
	460	466	305(250)				
	540	546	385(330)				
	620	626	465(410)				
	700	706	545(490)				
TU50S TU50F	220	226	45(-)	90	42.8	85	82
	300	306	125(50)				
	380	386	205(130)				
	460	466	285(210)				
	540	546	365(290)				
	620	626	445(370)				
	700	706	525(450)				
TU50G	300	306	100(-)	90	66.8	110	106
	380	386	180(-)				
	460	466	260(160)				
	540	546	340(240)				
	620	626	420(320)				
	700	706	500(400)				

Note ⁽¹⁾ The value indicates the allowable stroke length when limit sensors are mounted. The value in () represents dimension for two slide tables in close contact.

Remark: For dimensions of the slide table and track rail, please see the dimension table for each size.

IKO Precision Positioning Table TU

TU60, TU86, TU100, TU130 Table with C-Lube



unit: mm

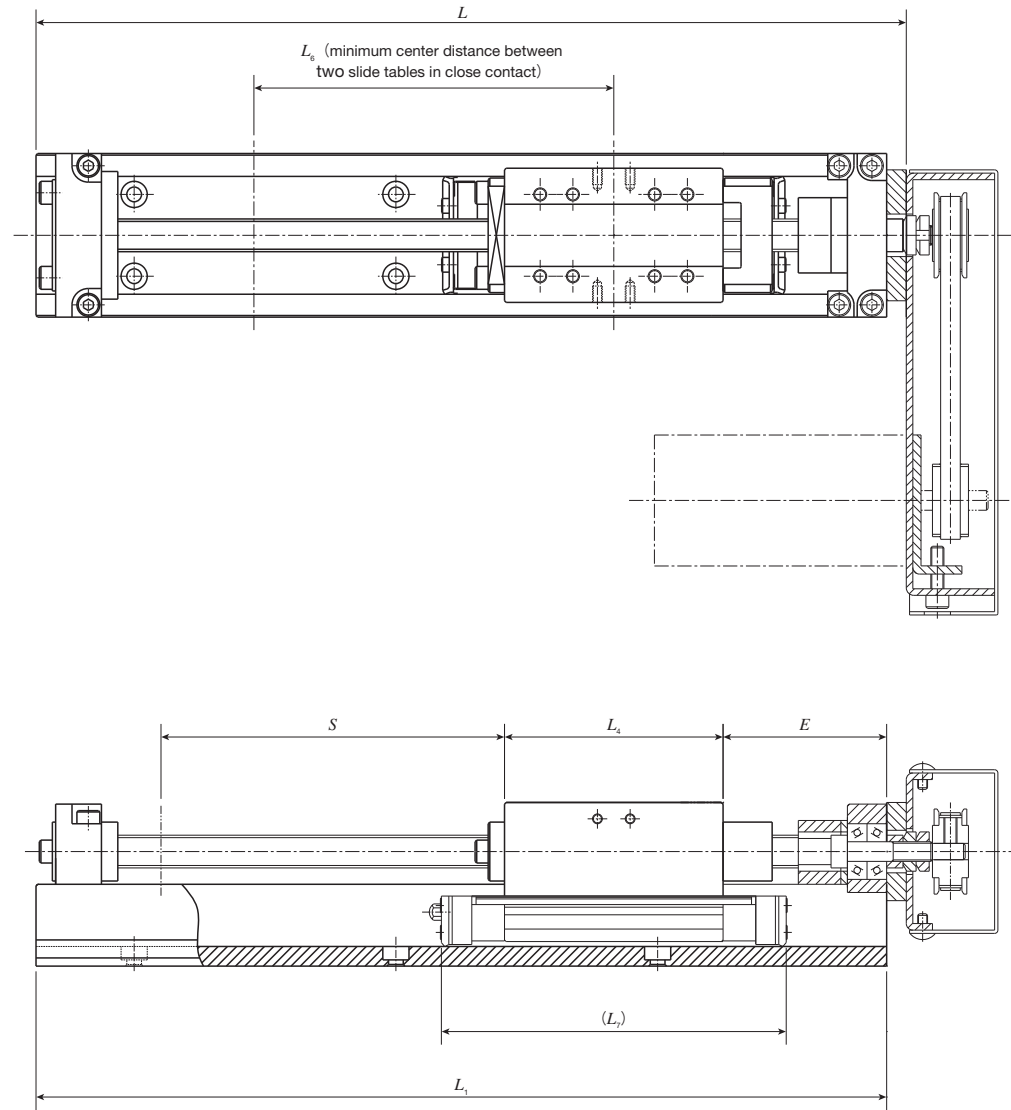
Model and size	Length of track rail L_1	Overall length L	Stroke length ⁽¹⁾ S		E		L_4	L_6	L_7
			Lead 5mm Lead 10mm	Lead 20mm	Lead 5mm Lead 10mm	Lead 20mm			
TU60C TU60FC	290	298	90(-)	70(-)	100	120	27.4	75	70
	390	398	190(140)	170(120)					
	490	498	290(240)	270(220)					
	590	598	390(340)	370(320)					
	690	698	490(440)	470(420)					
	790	798	590(540)	570(520)					
TU60S TU60F	290	298	90(-)	70(-)	80	95	52.4	100	95
	390	398	190(110)	170(100)					
	490	498	290(210)	270(200)					
	590	598	390(310)	370(300)					
	690	698	490(410)	470(400)					
	790	798	590(510)	570(500)					
TU60G TU60FG	290	298	- (-)	- (-)	80	85	83	130	125
	390	398	160(-)	155(-)					
	490	498	260(150)	255(150)					
	590	598	360(250)	355(250)					
	690	698	460(350)	455(350)					
	790	798	560(450)	555(450)					

Model and size	Length of track rail L_1	Overall length L	Stroke length ⁽¹⁾ S	E	L_4	L_6	L_7
TU86C TU86FC	490	498	260(190)	110	43	95	92
	590	598	360(290)				
	690	698	460(390)				
	790	798	560(490)				
	890	898	660(590)				
	990	998	760(690)				
	1 090	1 098	860(790)				
	1 190	1 198	960(890)				
TU86S TU86F	490	498	230(120)	85	93	145	142
	590	598	330(220)				
	690	698	430(320)				
	790	798	530(420)				
	890	898	630(520)				
	990	998	730(620)				
	1 090	1 098	830(720)				
	1 190	1 198	930(820)				
TU86G TU86FG	490	498	210(-)	85	118	170	167
	590	598	310(170)				
	690	698	410(270)				
	790	798	510(370)				
	890	898	610(470)				
	990	998	710(570)				
	1 090	1 098	810(670)				
	1 190	1 198	910(770)				
TU100S TU100F	1 010	1 020	670(540)	130	111	170	166
	1 160	1 170	820(690)				
	1 310	1 320	970(840)				
	1 460	1 470	1 120(990)				
TU130S TU130F	1 010	1 020	630(480)	140	132	195	190
	1 160	1 170	780(630)				
	1 310	1 320	930(780)				
	1 460	1 470	1 080(930)				
	1 610	1 620	1 230(1 080)				

Note ⁽¹⁾ The value indicates the allowable stroke length when limit sensors are mounted. The value in () represents dimension for two slide tables in close contact.
 Remark: For dimensions of the slide table and track rail, please see the dimension table for each size.

IKO Precision Positioning Table TU

TU40, TU50 Table with C-Lube (Motor folding back specification)



unit: mm

Model and size	Length of track rail L_1	Overall length L	Stroke length S ⁽¹⁾	E	L_4	L_6	L_7
TU40C	140	146	30(-)	50	19.5	60	55
	200	206	90(40)				
	260	266	150(100)				
	320	326	210(160)				
	380	386	270(220)				
TU40S TU40F	200	206	80(-)	50	31.5	70	67
	260	266	140(75)				
	320	326	200(135)				
TU40G	200	206	60(-)	50	47.5	85	83
	260	266	120(-)				
	320	326	180(105)				
	380	386	240(165)				

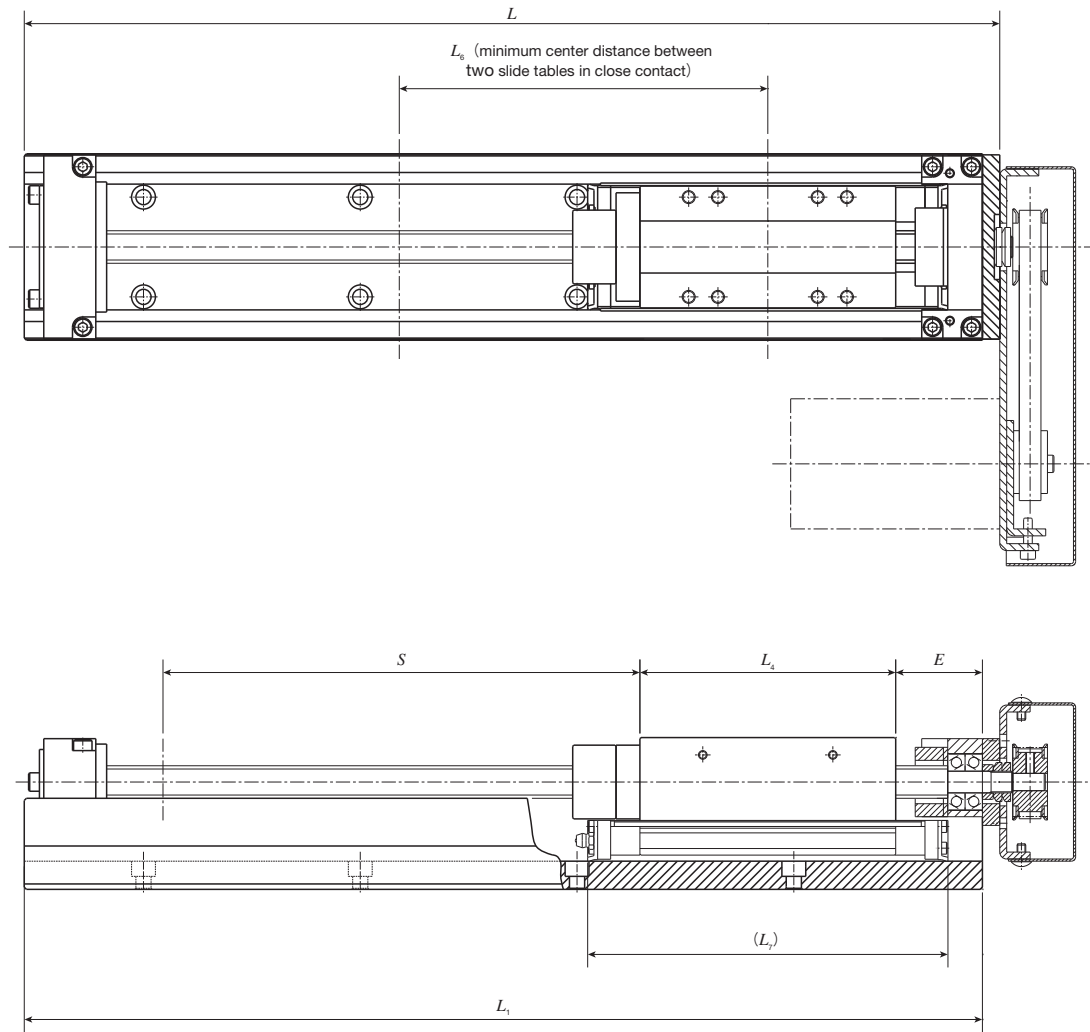
Model and size	Length of track rail L_1	Overall length L	Stroke length S ⁽¹⁾	E	L_4	L_6	L_7
TU50C	180	186	65(-)	50	23.8	65	63
	260	266	145(90)				
	340	346	225(170)				
	420	426	305(250)				
	500	506	385(330)				
	580	586	465(410)				
	660	666	545(490)				
TU50S TU50F	180	186	45(-)	50	42.8	85	82
	260	266	125(50)				
	340	346	205(130)				
	420	426	285(210)				
	500	506	365(290)				
	580	586	445(370)				
	660	666	525(450)				
TU50G	260	266	100(-)	50	66.8	110	106
	340	346	180(80)				
	420	426	260(160)				
	500	506	340(240)				
	580	586	420(320)				
	660	666	500(400)				

Note ⁽¹⁾ The value indicates the allowable stroke length when limit sensors are mounted. The value in () represents dimension for two slide tables in close contact.

Remarks 1. Parts for motor attachment are appended. This figure indicates a finished state after the motor attachment is assembled by the customer.
2. For dimensions of the slide table and track rail, please see the dimension table for each size.

IKO Precision Positioning Table TU

TU60, TU86 Table with C-Lube (Motor folding back specification)



unit: mm

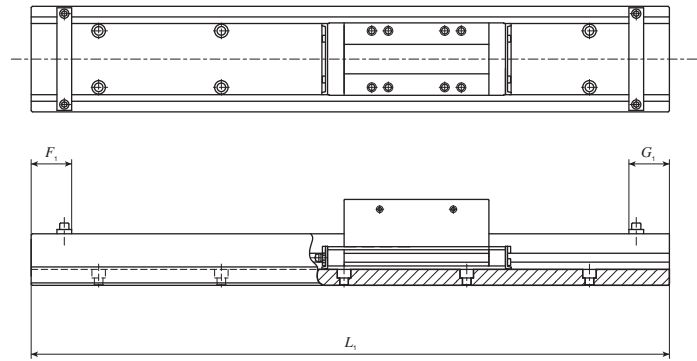
Model and size	Length of track rail L_1	Overall length L	Stroke length ⁽¹⁾ S		E		L_4	L_6	L_7
			Lead 5mm Lead 10mm	Lead 20mm	Lead 5mm Lead 10mm	Lead 20mm			
TU60C TU60FC	244	252	90(-)	70(-)	55	74	27.4	75	70
	344	352	190(140)	170(120)					
	444	452	290(240)	270(220)					
	544	552	390(340)	370(320)					
	644	652	490(440)	470(420)					
TU60S TU60F	244	252	80(-)	70(-)	40	49	52.4	100	95
	344	352	180(110)	170(100)					
	444	452	280(210)	270(200)					
	544	552	380(310)	370(300)					
	644	652	480(410)	470(400)					
TU60G TU60FG	244	252	- (-)	- (-)	40	39	83	130	125
	344	352	150(-)	155(-)					
	444	452	250(150)	255(150)					
	544	552	350(250)	355(250)					
	644	652	450(350)	455(350)					
744	752	550(450)	555(450)						

Model and size	Length of track rail L_1	Overall length L	Stroke length ⁽¹⁾ S	E	L_4	L_6	L_7
TU86C TU86FC	442	450	250(190)	70	43	95	92
	542	550	350(290)				
	642	650	450(390)				
	742	750	550(490)				
	842	850	650(590)				
	942	950	750(690)				
	1 042	1 050	850(790)				
1 142	1 150	950(890)					
TU86S TU86F	442	450	230(120)	40	93	145	142
	542	550	330(220)				
	642	650	430(320)				
	742	750	530(420)				
	842	850	630(520)				
	942	950	730(620)				
	1 042	1 050	830(720)				
1 142	1 150	930(820)					
TU86G TU86FG	442	450	210(-)	40	118	170	167
	542	550	310(170)				
	642	650	410(270)				
	742	750	510(370)				
	842	850	610(470)				
	942	950	710(570)				
	1 042	1 050	810(670)				
1 142	1 150	910(770)					

Note ⁽¹⁾ The value indicates the allowable stroke length when limit sensors are mounted. The value in () represents dimension for two slide tables in close contact.
 Remarks 1. Parts for motor attachment are appended. This figure indicates a finished state after the motor attachment is assembled by the customer.
 2. For dimensions of the slide table and track rail, please see the dimension table for each size.

IKO Precision Positioning Table TU

Without ball screw specification



unit: mm

Model and size	Specification of track rail	Length of track rail L_1	Without bridge cover		With bridge cover	
			F_1	G_1	F_1	G_1
TU 25	Without motor folding back	130				
		165	14	14	14	14
		200				
TU 30	Without motor folding back	140				
		180				
		220	14	14	14	14
		260				
		300				
TU 40	Without motor folding back	180				
		240				
		300	20	18	20	18
		360				
		420				
	Motor folding back specification	140				
		200				
		260	20	18	20	18
		320				
		380				
TU 50	Without motor folding back	220				
		300				
		380				
		460	20	18	20	18
		540				
		620				
		700				
	Motor folding back specification	180				
		260				
		340				
		420	20	18	20	18
		500				
		660				

Model and size	Specification of track rail	Length of track rail L_1	Without bridge cover		With bridge cover	
			F_1	G_1	F_1	G_1
TU 60	Without motor folding back	290				
		390				
		490				
		590	32	17	35	29
		690				
		790				
		990				
	1190	32	17	—	—	
	Motor folding back specification	244				
		344				
		444				
		544	32	28	35	29
		644				
744						
TU 86	Without motor folding back	490				
		590				
		690				
		790				
		890	32	19	35	29
		990				
		1 090				
		1 190				
	1 390					
	1 590	32	19	—	—	
	Motor folding back specification	442				
		542				
		642				
742						
842		32	28	35	29	
TU 100	Without motor folding back	942				
		1 042				
		1 142				
		1 010				
		1 160	35	34	35	34
TU 130	Without motor folding back	1 310				
		1 460				
		1 010				
		1 160				
		1 310	35	38	35	38

Remark: For dimensions of the slide table and track rail, please see the dimension table for each size.